

AGORA AIR - PITCHING



EN - This awning should be erected by at least 2 people

CZ - Těto stan by měl být postaven nejméně 2 osoby

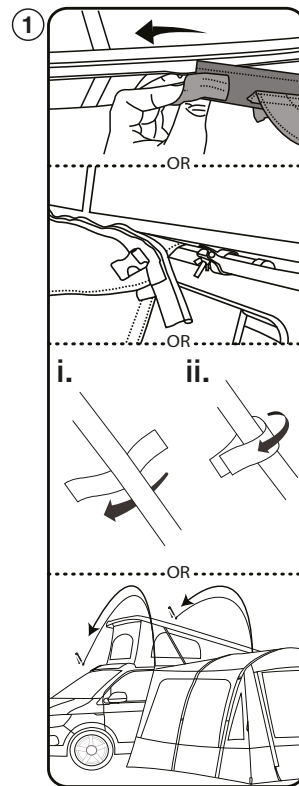
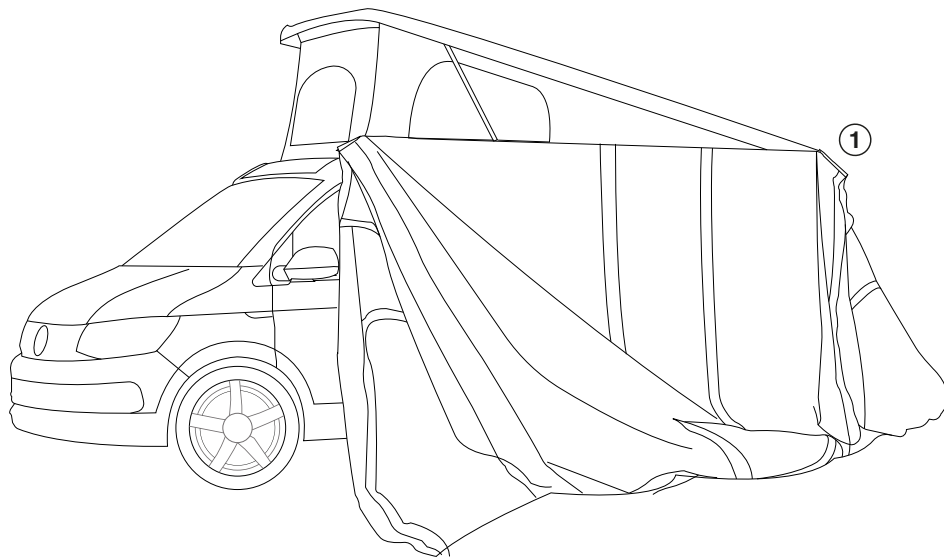
DE - Dieses Zelt sollte von mindestens zwei Personen aufgestellt werden

FR - Cette tente doit être érigée par au moins 2 personnes

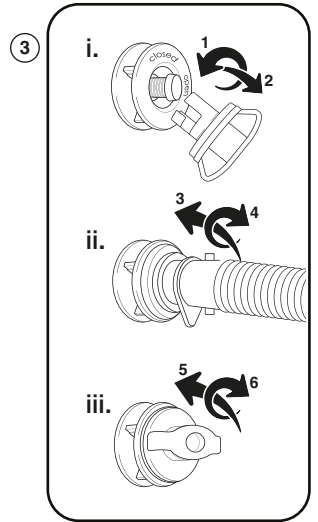
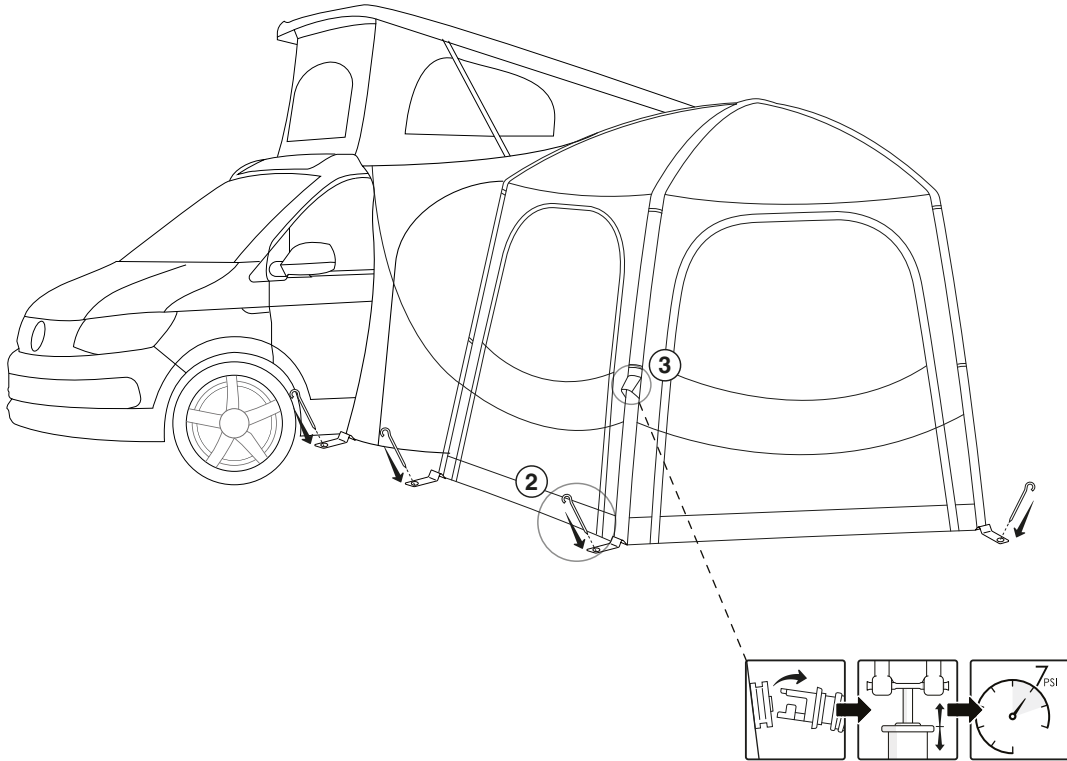
IT - Questa tenda deve essere eretto da almeno 2 persone

NL - Deze tent moet worden omgeven door minstens 2 personen

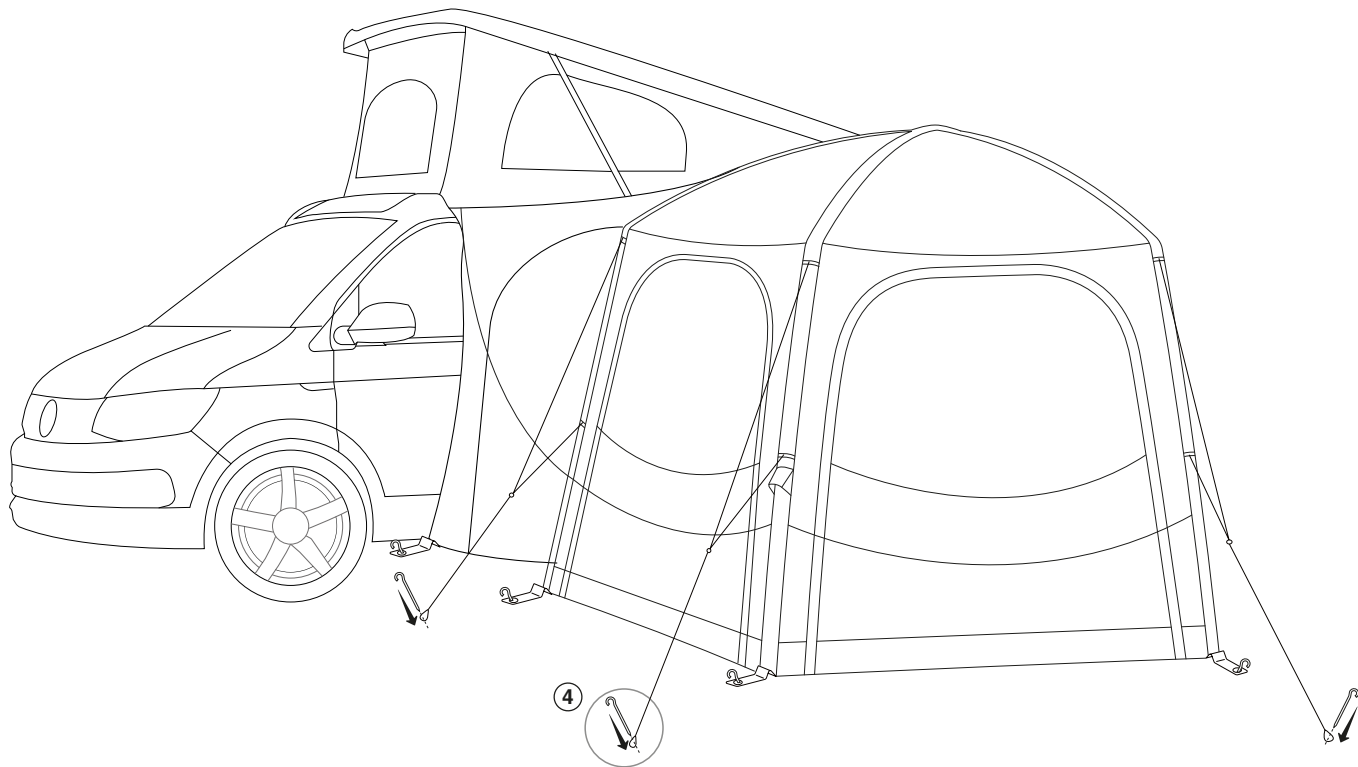
A.



B.



C.



AGORA AIR – TAKING DOWN & PACKING



EN - This awning should be taken down by at least 2 people

CZ - Tento stan by měl být sundán nejméně 2 osobami

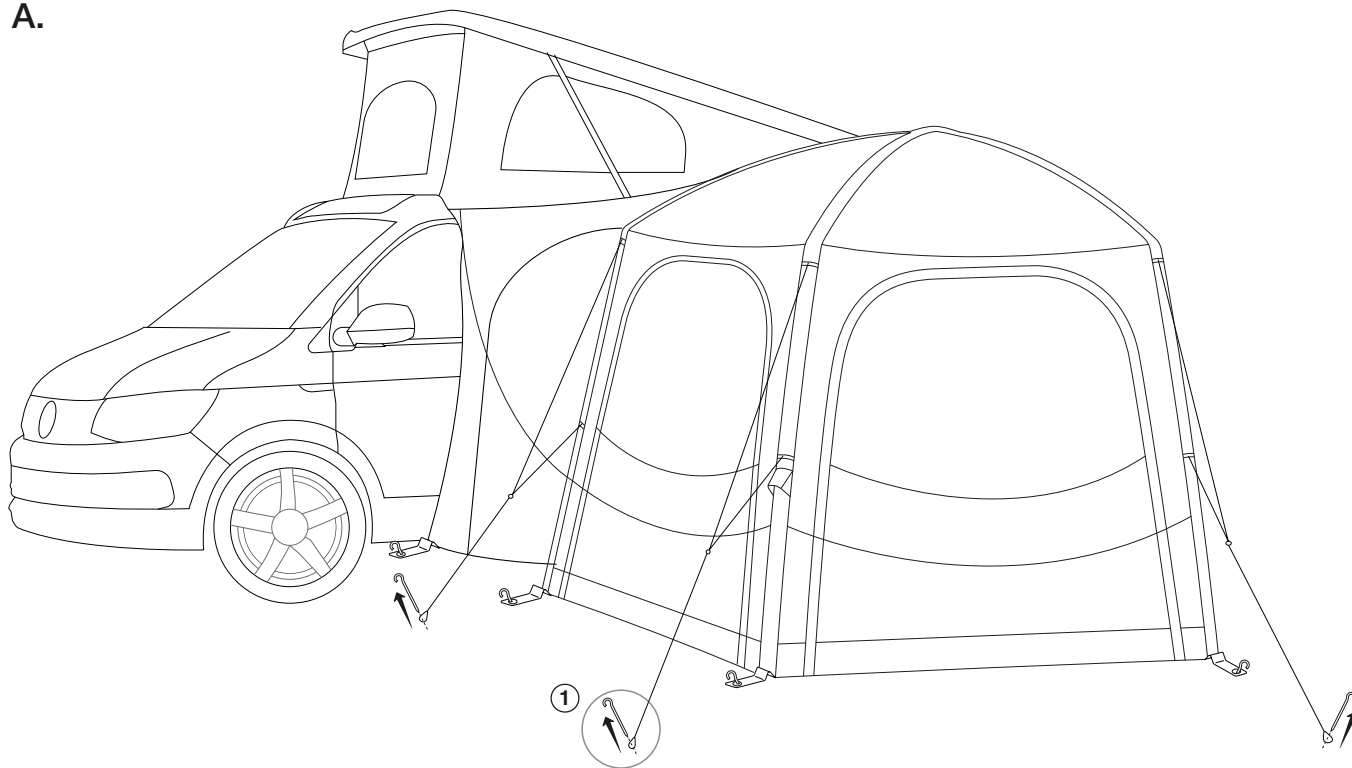
DE - Dieses Zelt sollte von mindestens zwei Personen heruntergenommen werden

FR - Cette tente doit être prise par au moins 2 personnes

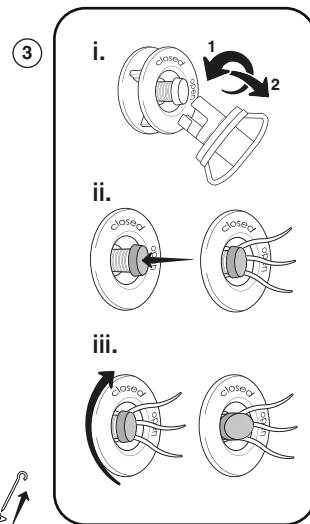
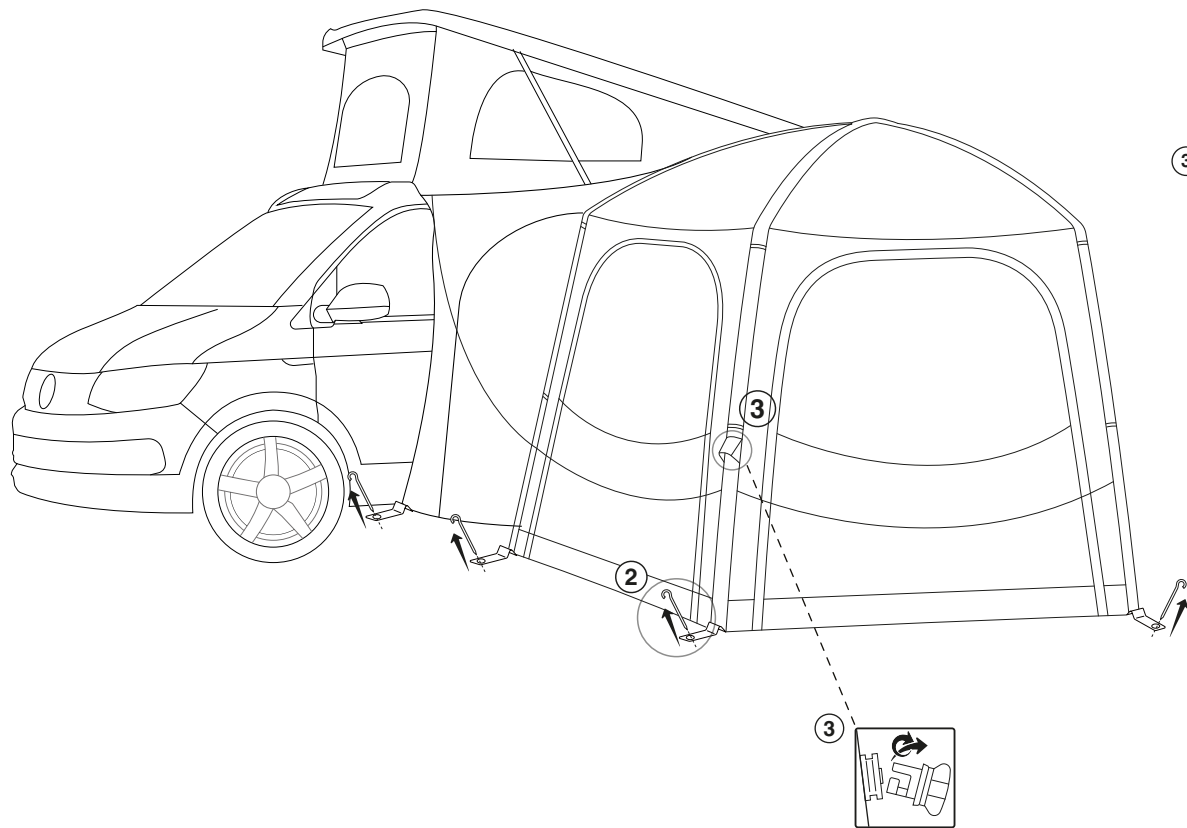
IT - Questa tenda deve essere assunta verso il basso da almeno 2 persone

NL - Deze tent moet door minstens 2 personen worden genomen

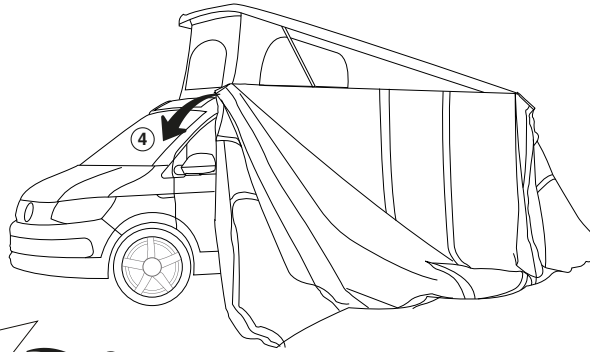
A.



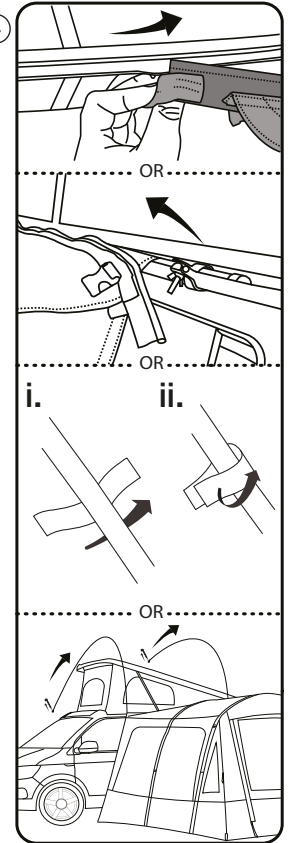
B.



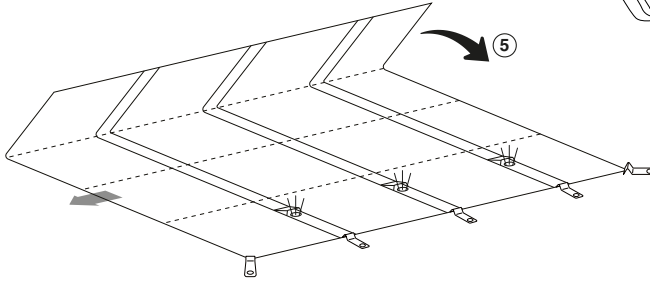
C.



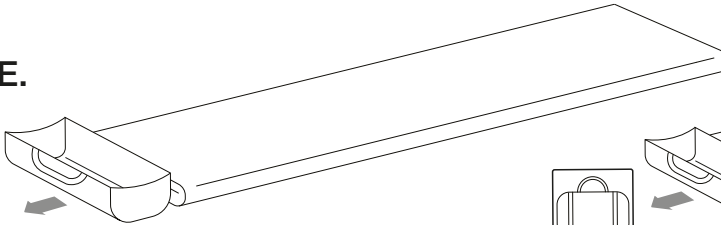
4



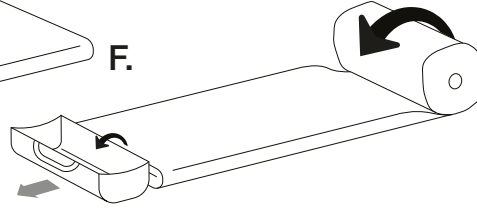
D.



E.



F.



Vango makes every effort to ensure the accuracy of our information. We do however have a policy of continuous improvement and we therefore reserve the right to change or amend colours and specifications without prior notice. ©AMG Group Ltd.