



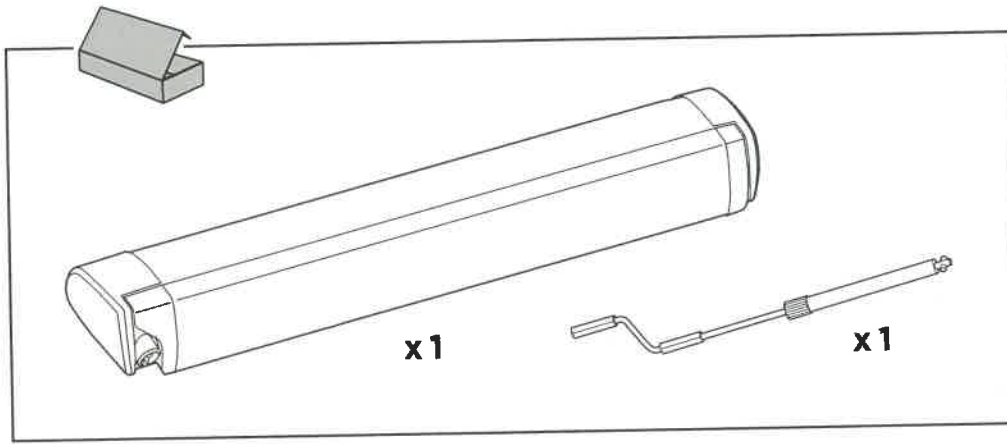
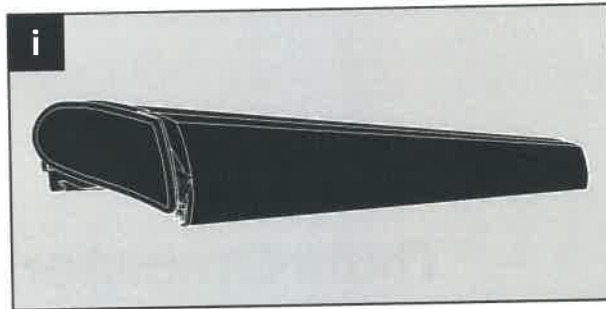
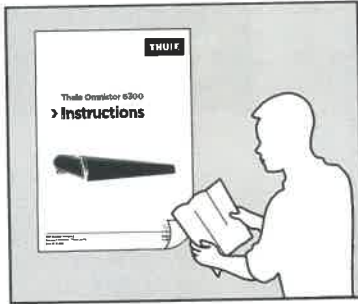
Thule Omnistor 6300




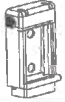


> Instructions

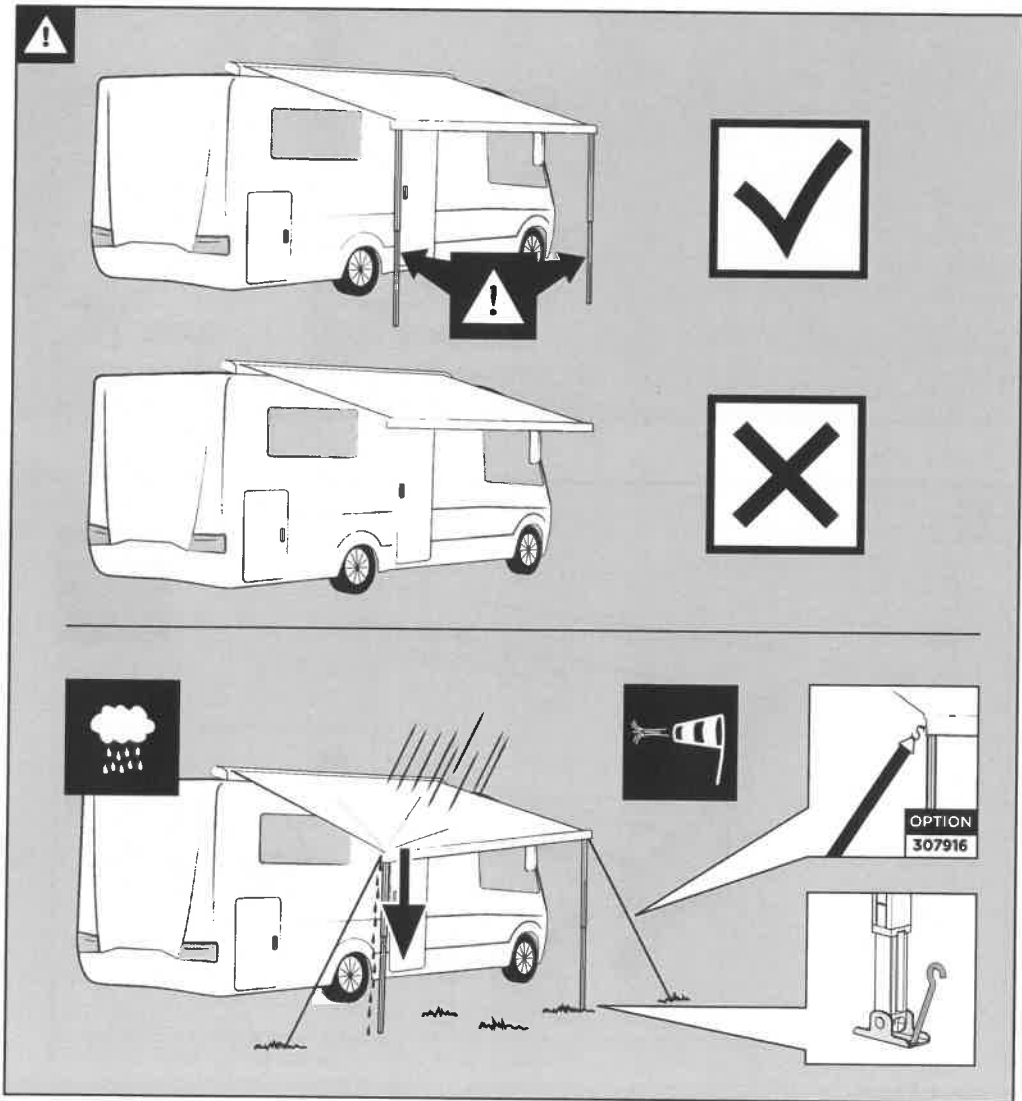
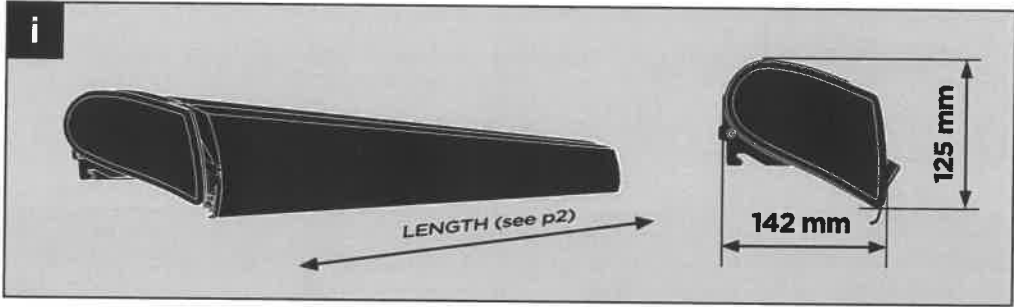


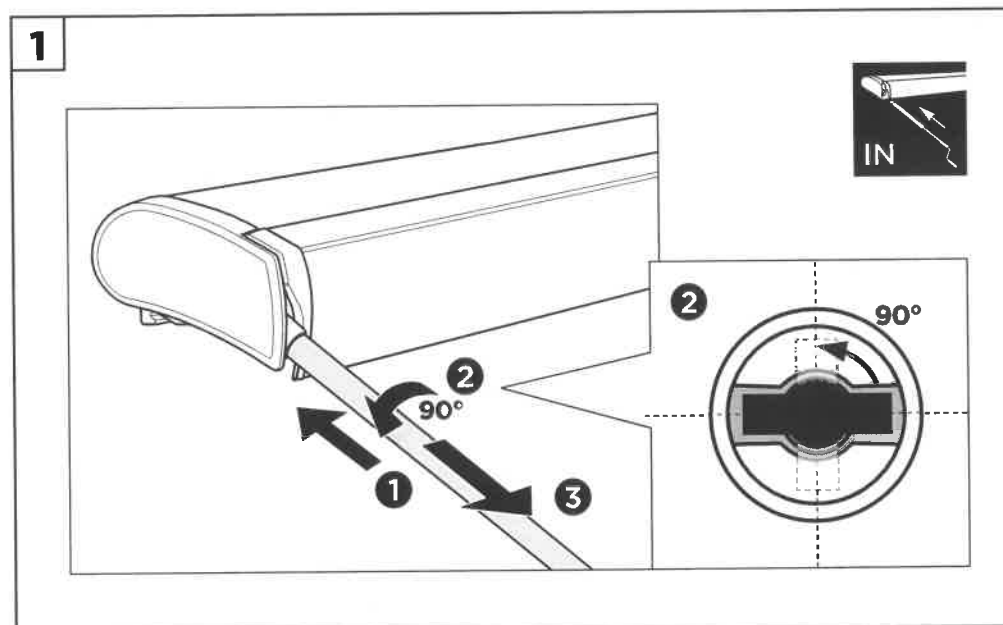
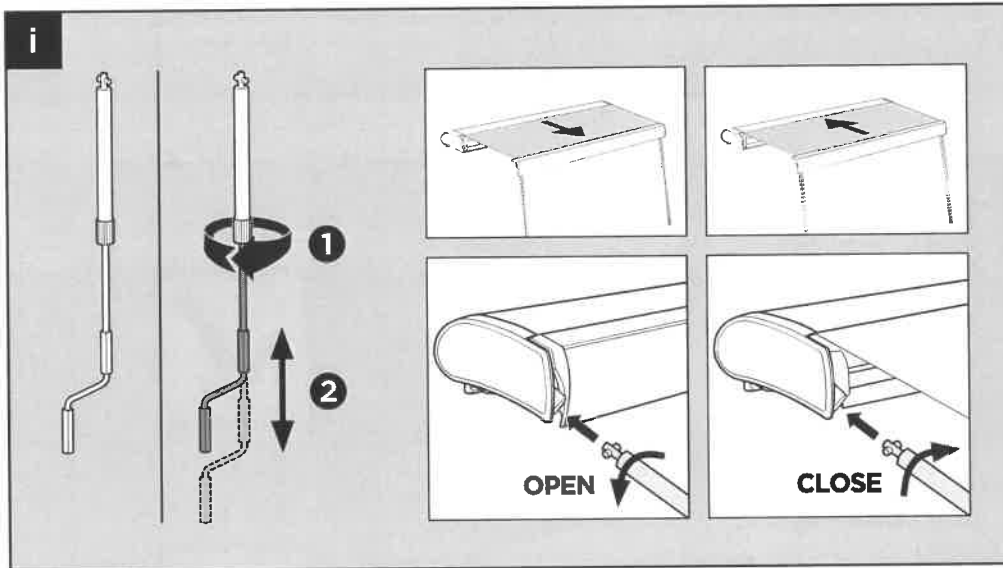
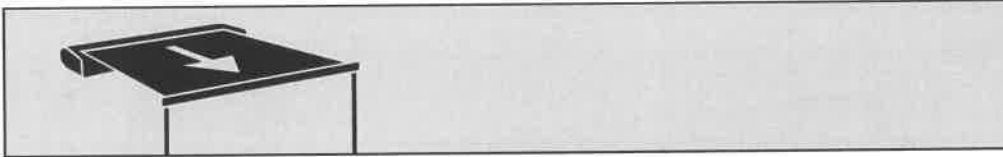
Prod no.: 302100-302432
Doc. no.: 6CA900-01 / 3380049000
Date: 29/11/2018

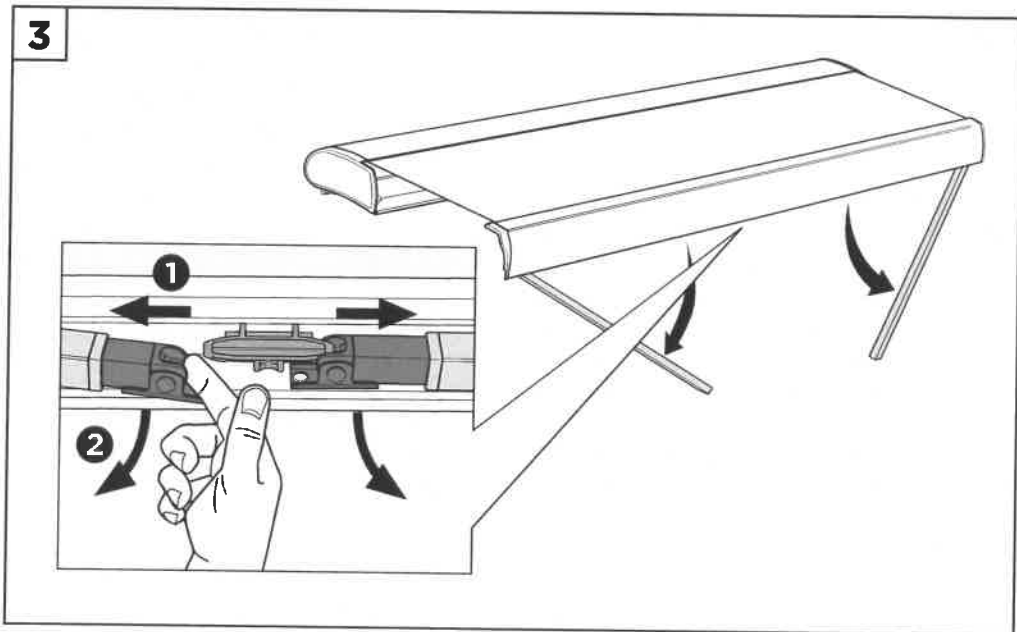
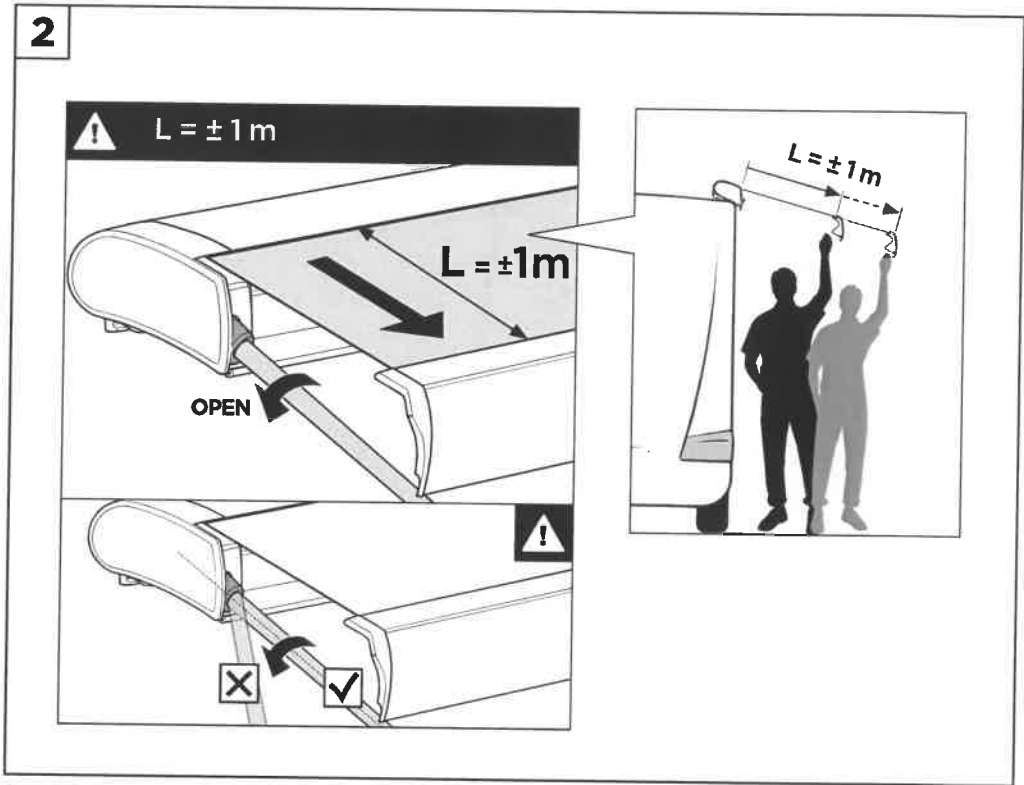
Bring your life
thule.com

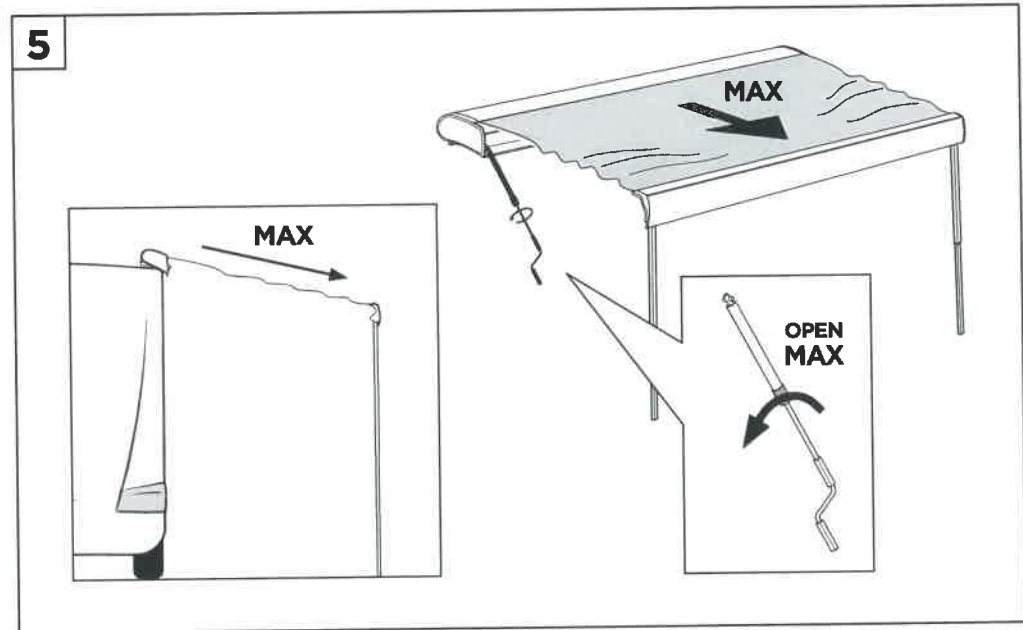
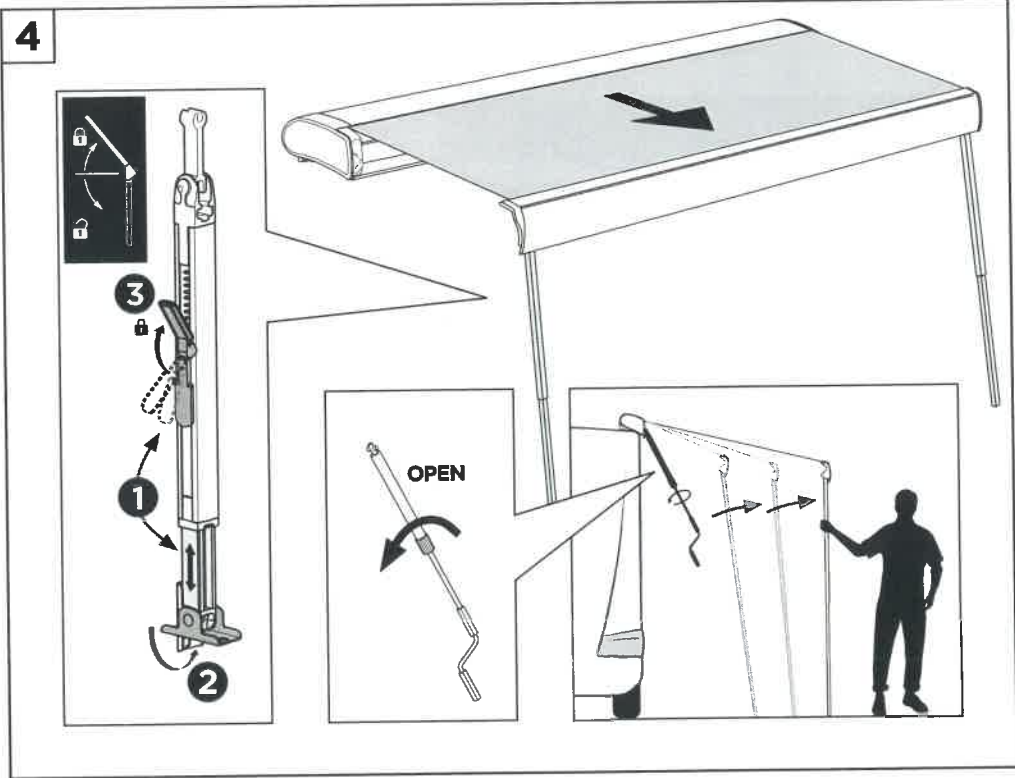


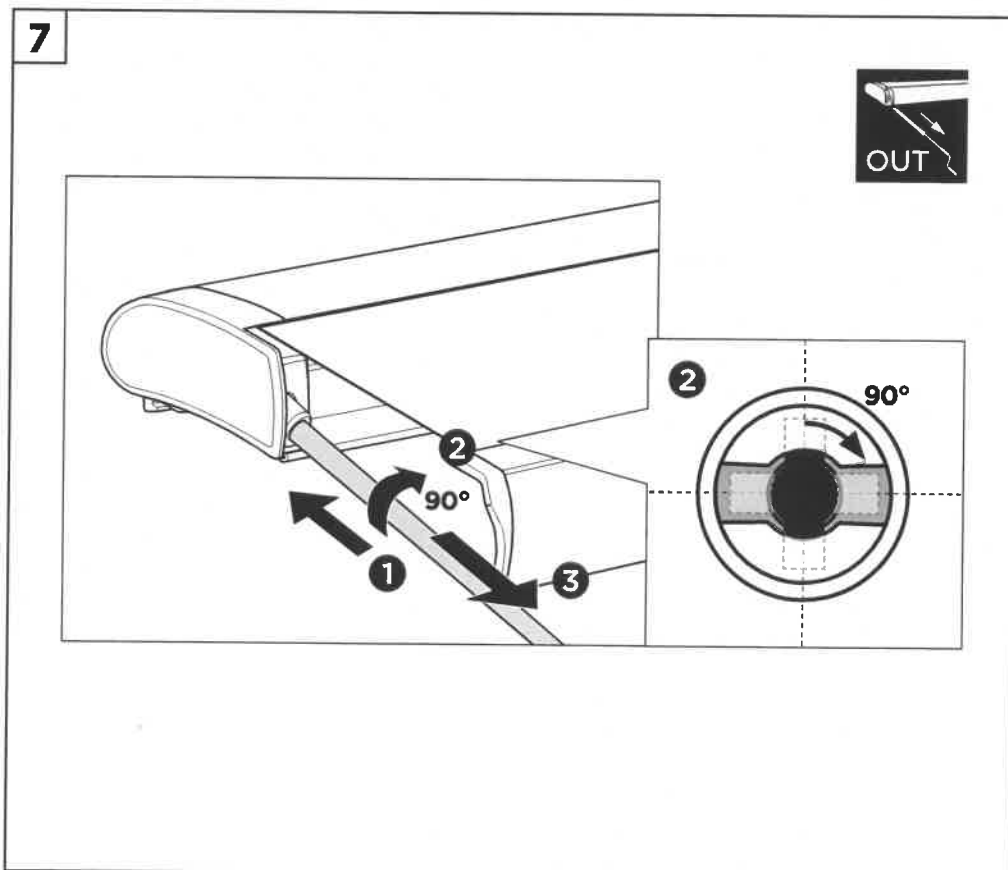
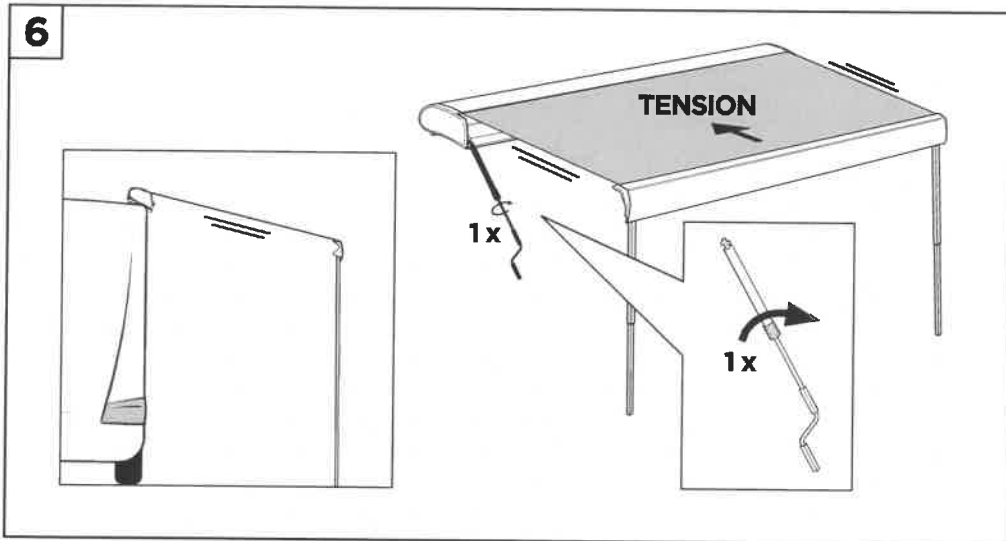
	20.6 kg	24.1 kg	25.1 kg	26.8 kg	28.5 kg	30.5 kg	31.8 kg	33.0 kg	35.6 kg
	2.60 m	3.00 m	3.25 m	3.50 m	3.75 m	4.00 m	4.25 m	4.50 m	5.00 m
	x 2	x 2	x 2	x 2	x 2	x 2	x 2	x 2	x 2
	x 2	x 2	x 2	x 2	x 2	x 2	x 2	x 2	x 2
	x 2	x 2	x 2	x 2	x 2	x 2	x 2	x 2	x 2
Tension Arm Set TO 6300 302095	✗	OPTION	OPTION	OPTION	✓	✓	✓	✓	✓
									











8

EXTRA TENSION

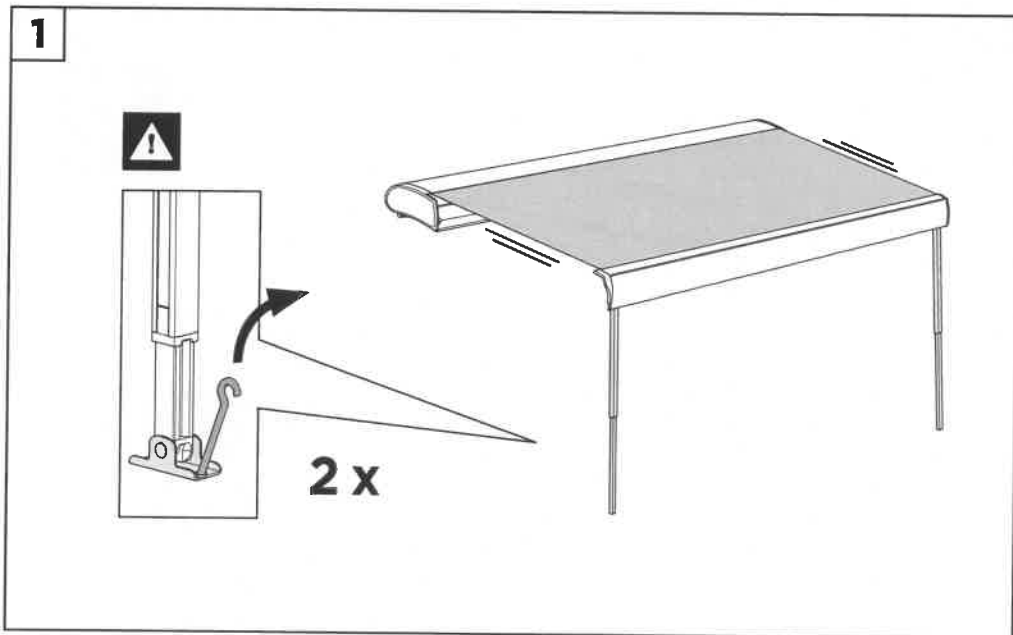
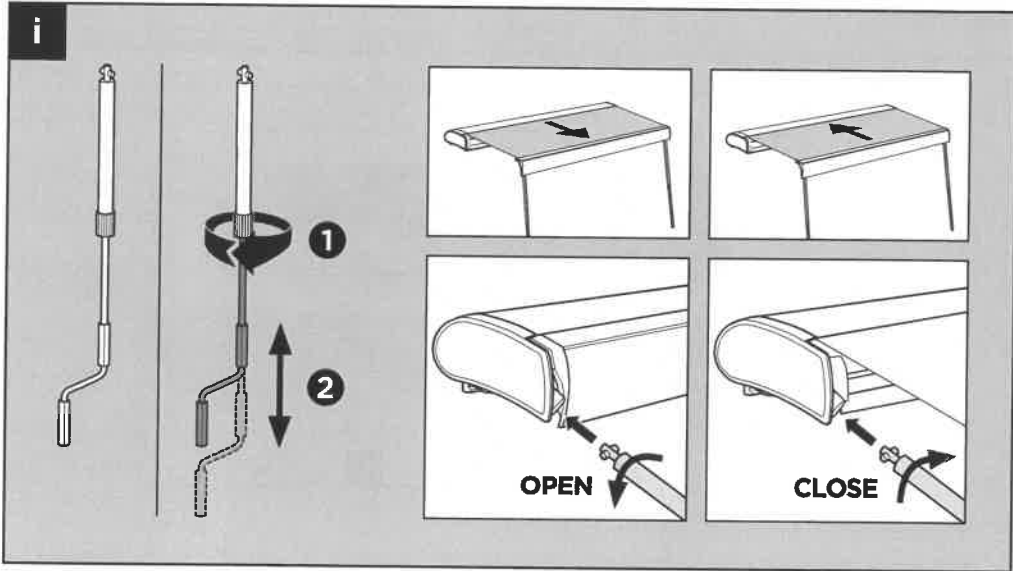
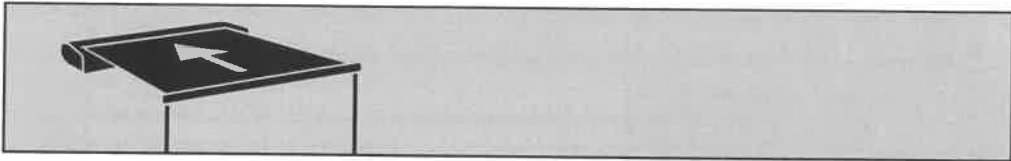
Tension Arm Set TO 6300 302095	2.60 m	3.00 m	3.25 m	3.50 m	3.75 m	4.00 m	4.25 m	4.50 m	5.00 m
	X	OPTION	OPTION	OPTION	✓	✓	✓	✓	✓

2 x


A **B** **C**

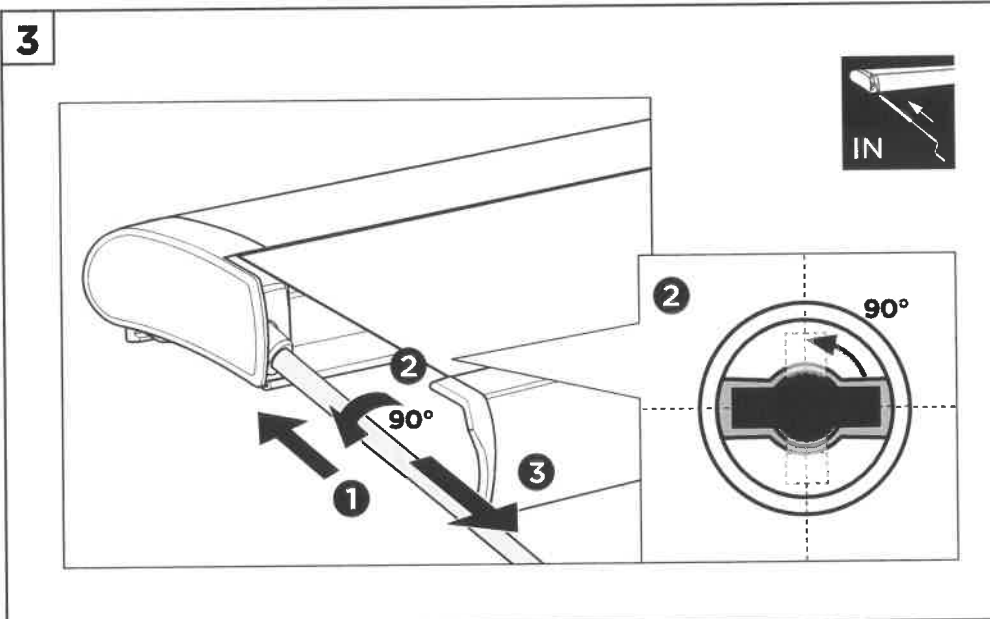
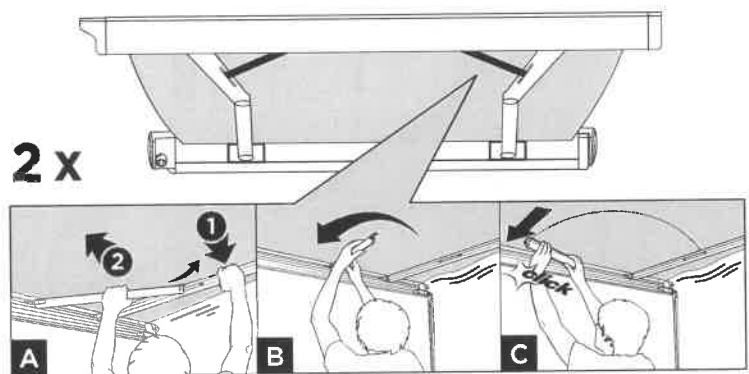
9

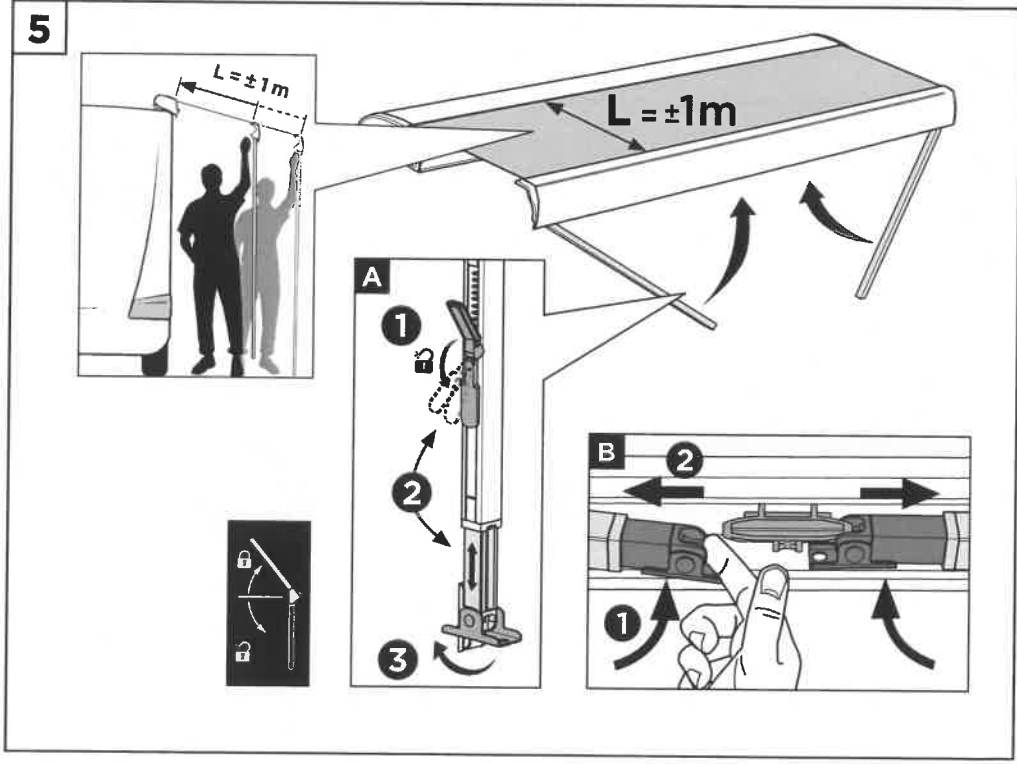
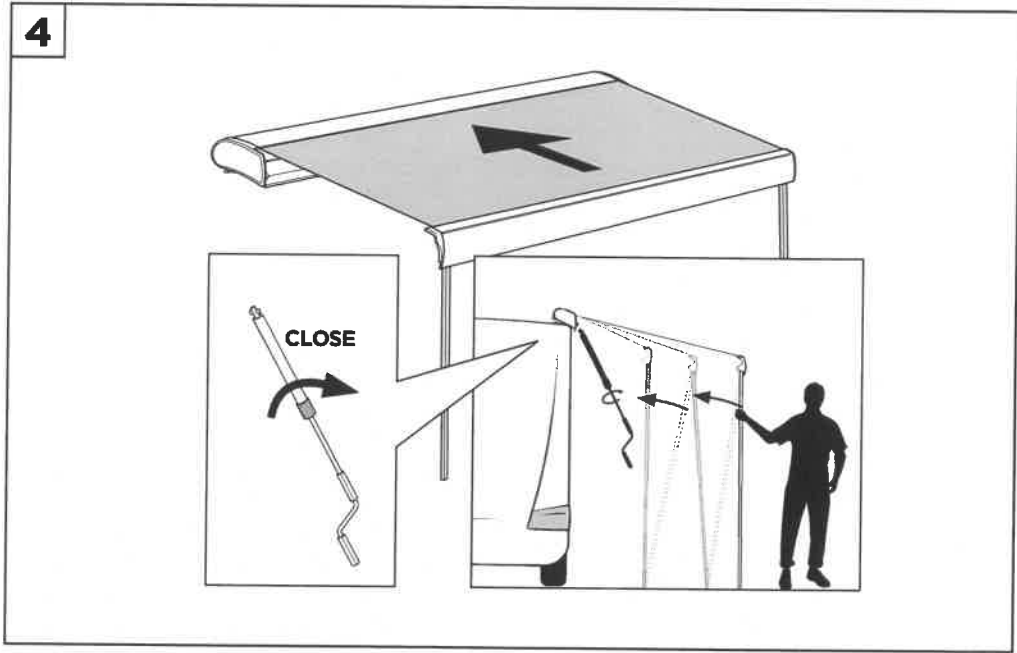
2 x

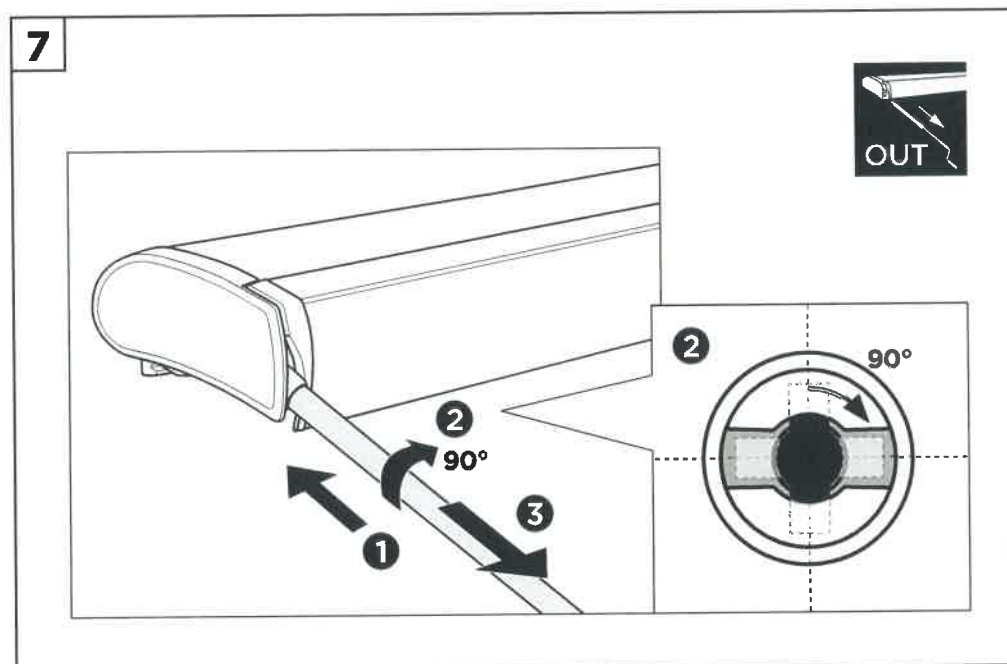
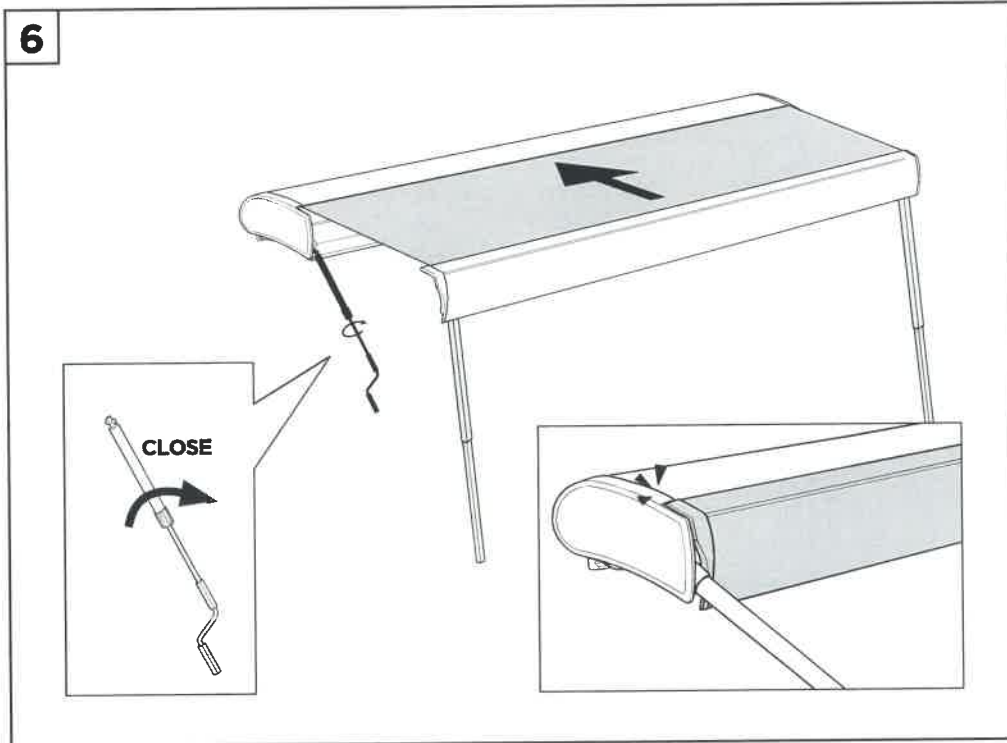


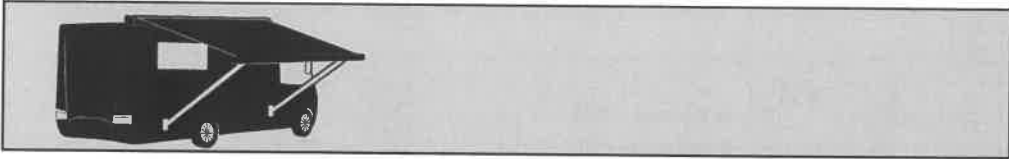
2 **!** ONLY IN CASE OF OPTIONAL TENSION ARM SET **!**

Tension Arm Set TO 6300 302095	2.60 m	3.00 m	3.25 m	3.50 m	3.75 m	4.00 m	4.25 m	4.50 m	5.00 m
	X	OPTION	OPTION	OPTION	✓	✓	✓	✓	✓





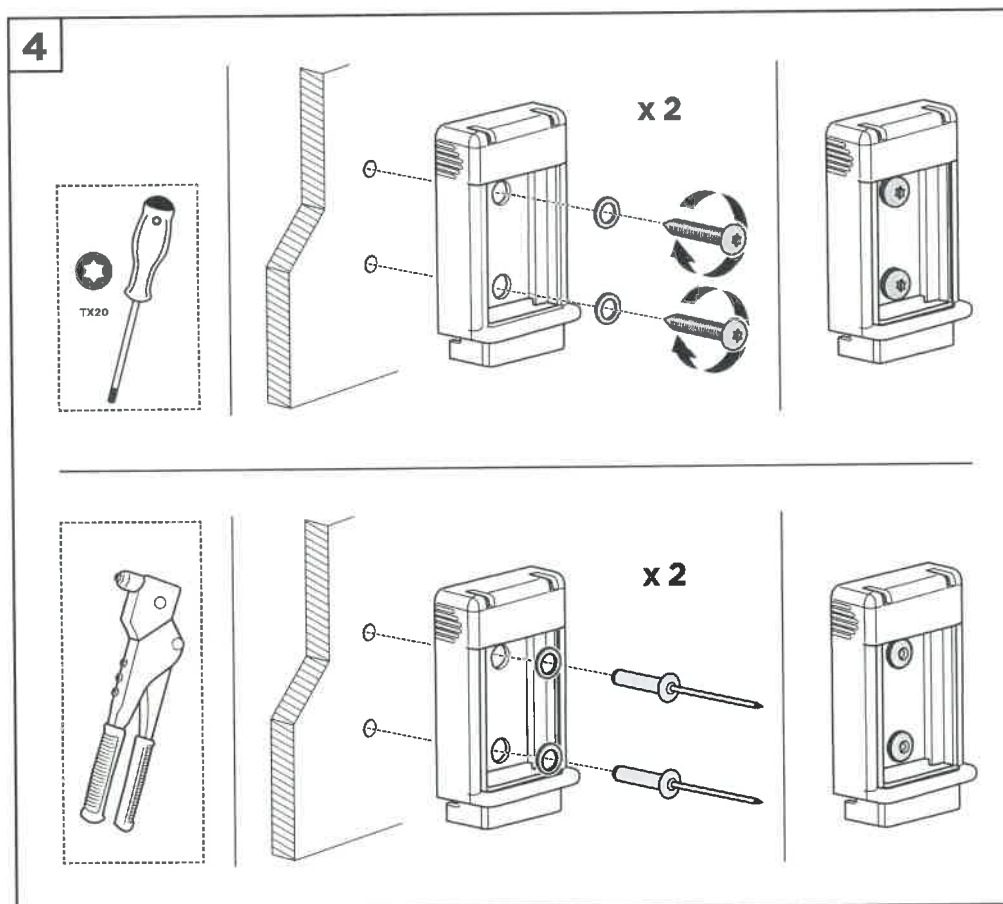
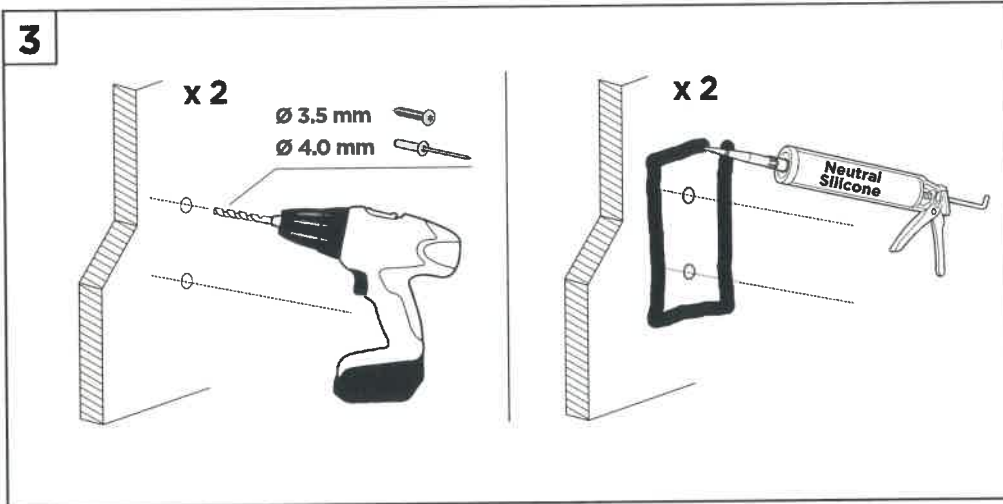


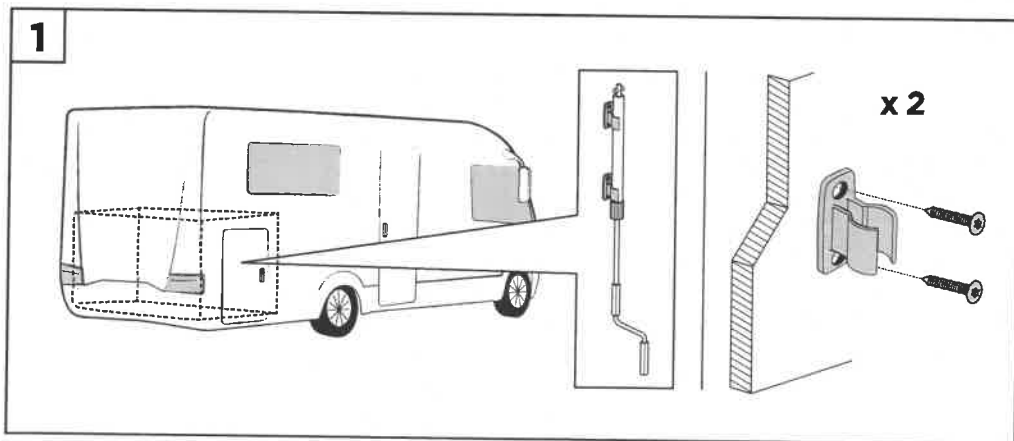
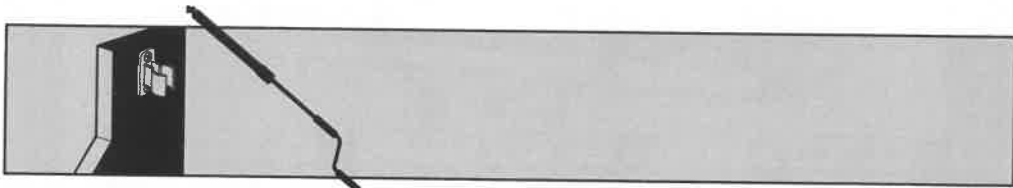
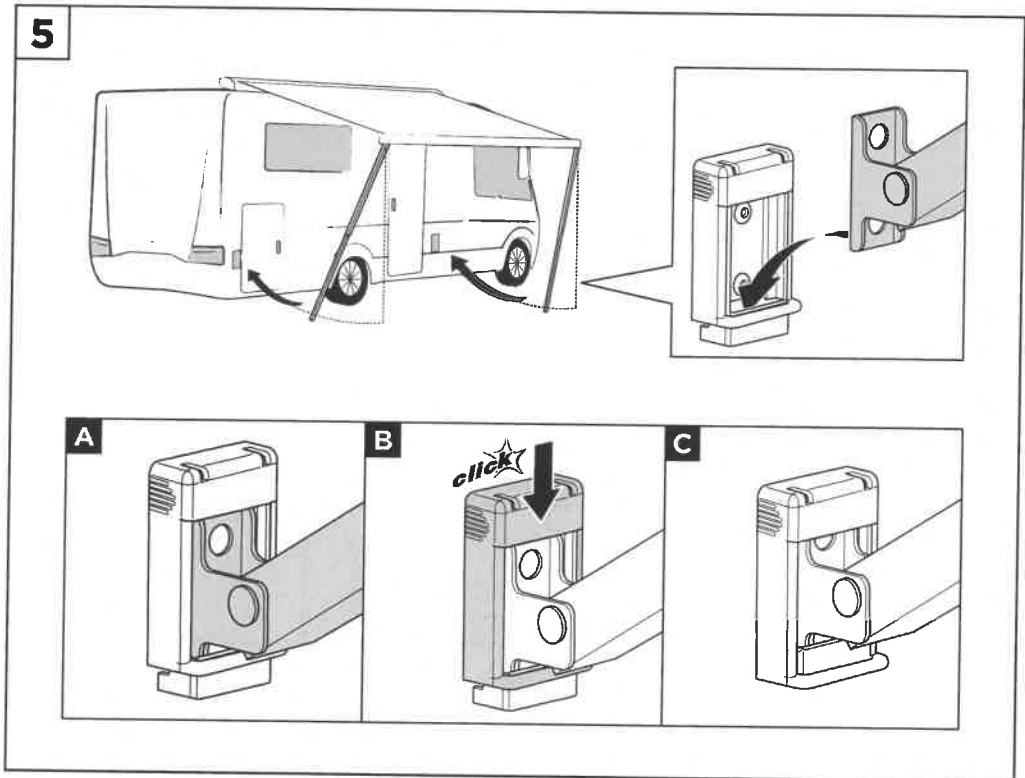


1

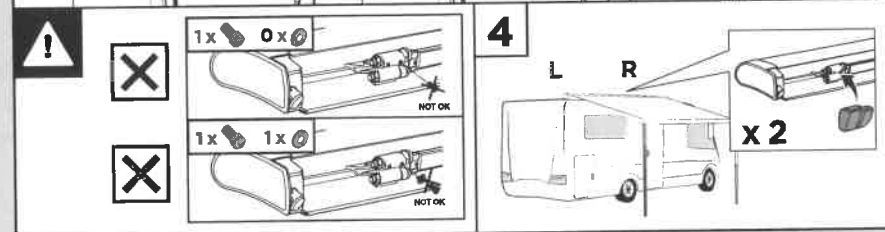
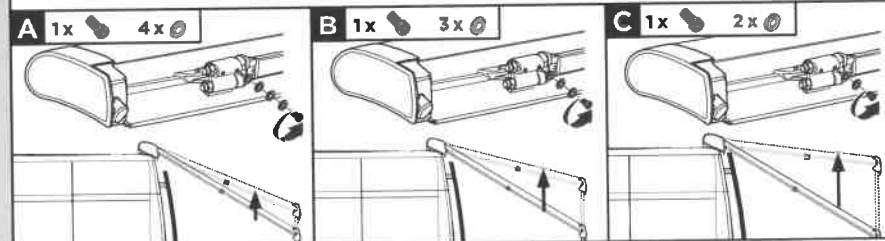
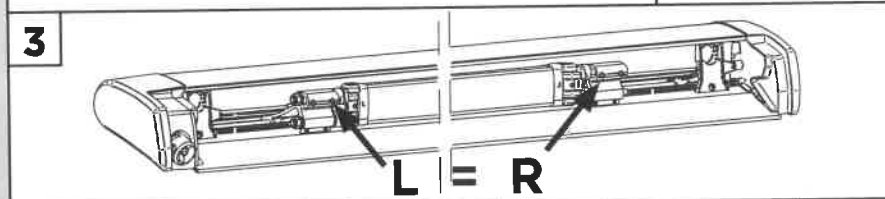
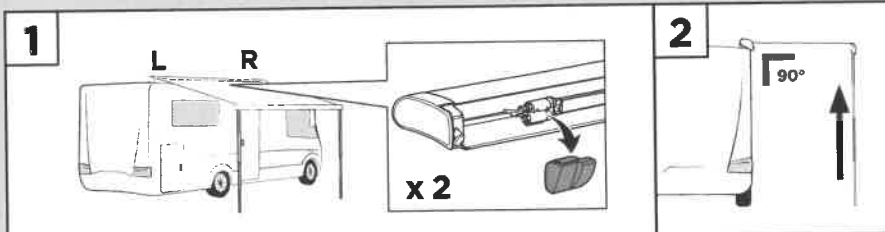
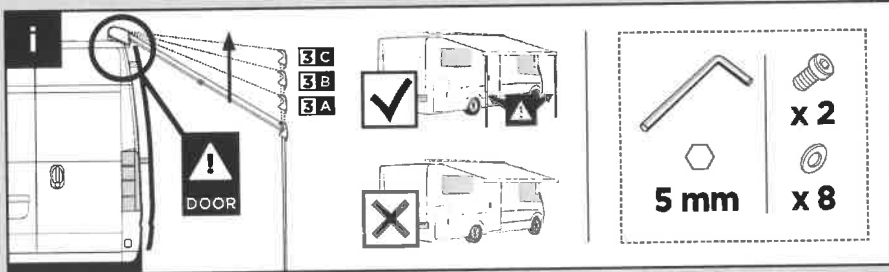
		x 4
x 2		x 4
		x 4

2





! PITCH CONTROL



AWNING ACCESSOIRES

Thule Hold Down Side Strap Kit



307916

Thule 3rd Support Leg



306778

Thule Tent LED Mounting Rail TO 6300



301664
301660
307124

Thule Tension Arm Set TO 6300



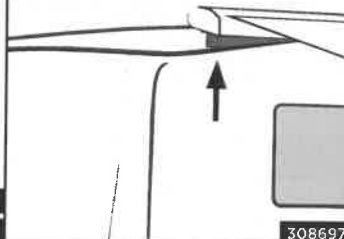
302095

Thule LED Mounting Rail



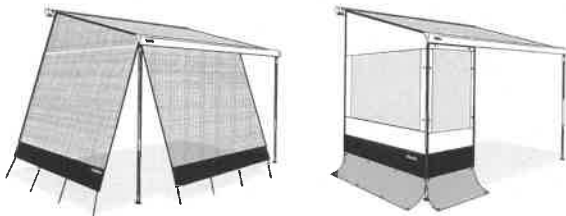
306777
307134

Thule EPDM Sealing



308697

Thule Smart Panels



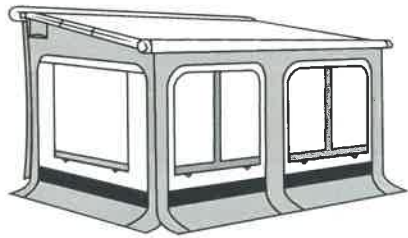
Thule PVC Cleaner



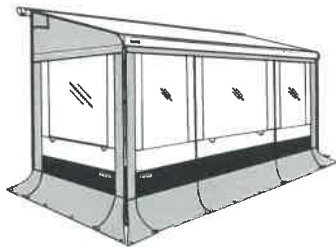
307585

THULE TENTS

Thule Panorama



Thule Residence G3



Thule QuickFit



GENERAL MARKS:

- Installation must be carried out by a qualified person.
- Check if you have a solid back ground for installation of the adapters of the awning. Fixation must be carried out by bolts and nuts and counterplate and by preference also glued with SIKA 252. Contact your dealer or manufacturer of the vehicle. Before drilling, be sure that there is no obstacle at the inside (for example electric cables, gas pipes and so on).
- The adapters must support the awning at the awnings spring arms for a correct and stable mounting. When this is not possible use a full length adapter.
- In order to get a watertight installation, use acid free silicone or SIKA 252 to fill up the drilled holes.
- For the mounting height of the bottom mounting brackets ask your dealer or manufacturer.
- An awning is a sun and not an all-weather protection. The awning should be closed in case of storm, snow or heavy rain fall (avoid formation of a water pocket).

THULE WARRANTY:

1. The warranty for the THULE awning to the original buyer is two years from date of invoice.
2. The warranty covers replacement of parts arising from defects and from the inability of the awning to perform its intended function.
3. In case of a defect, consult your dealer with original invoice.
4. Defects, which in our judgment occur from misuse, negligence or accident, are not covered by the warranty. In addition, the warranty does not apply if the product is installed or handled improperly or if the awning has been altered in any way or has been repaired by unqualified persons, or if the serial number and/or date has been altered or removed.

5. In case of use of non-original Thule accessories, the warranty will be declared invalid.
6. Should the original buyer wish to return to us parts believed to be defective, the parts should be sent prepaid. If we find the parts defective and covered by warranty, they will be repaired and returned. If warranty does not apply or has expired, a nominal charge will be made. Any transport costs are for the owner's account.
7. Returned goods should be in solid wrapping.
8. No other warranty is given and no representative is authorised to give any warranty or assume liability by words or action under any warranty other than that is contained herein. This warranty is expressly in lieu of any other expressed or implied warranty of whatever nature and expressly excludes any other or further liability.