

THE FORD



**Refrigerator
N4000 Series**

EN

Original User Manual

Contents

1	Introduction.....	2
2	Symbols.....	3
3	Safety.....	3
4	Main components.....	5
5	Before use.....	6
6	Switching on the refrigerator.....	7
7	Selecting source.....	7
8	Selecting cooling level.....	8
9	Using the fans.....	8
10	Anti-condensation.....	8
11	Use of the fresh food compartment.....	9
12	Use of the frozen food compartment.....	12
13	While driving.....	13
14	Maintenance and cleaning.....	14
15	Switching off the refrigerator.....	15
16	Defrosting.....	15
17	Troubleshooting.....	16
18	Storage.....	17
19	Servicing.....	19
20	Technical specifications.....	20
21	Disposal.....	20
22	Questions.....	20
23	Warranty.....	20

1. Introduction

This is the user manual for your Thetford refrigerator. Read the safety instructions and information on use and maintenance of the refrigerator carefully before continuing. This will enable you to use the refrigerator safely and efficiently. Retain this manual for future reference.

For the latest version of this manual, please visit www.thetford.com.

2. Symbols

Key to symbols:



Warning. Risk of serious injury and/or damage.



Caution. Risk of injury and/or damage.



Attention. Important information.



Note. Information.

3. Safety



This appliance may be used by children aged 8 years or older and persons with reduced physical, sensory or mental capabilities and/or lack of experience and knowledge only if they are supervised or have been given instructions on the safe use of this appliance and understand the potential hazards.



Keep children younger than 8 years away from the appliance, except under constant supervision.



Do not allow children to play with the appliance. Children can become trapped and possibly suffocate.



Do not allow children to clean or maintain this equipment unattended.



Use only parts supplied by the manufacturer.



Do not change or adjust anything on the appliance, unless the change is authorised by the manufacturer or its representative.



While driving, it is only allowed to run your refrigerator on gas if the vehicle is equipped with a safety closing device.



If you smell ULPG: Directly close the valve of the ULPG bottle, extinguish any naked flames, do not switch on any electrical devices or lighting, open the windows and leave the room. Then contact the Customer Service Department in your country or holiday location.



If you smell a pungent odour from the cooling system: Switch off the refrigerator, extinguish any naked flames, provide sufficient ventilation through vents, windows and doors. Then contact the Customer Service Department in your country or holiday location.



The storage of flammable materials behind or around the refrigerator creates a fire hazard. Do not use the area behind the refrigerator to store anything, especially flammable materials (gasoline, cleaning supplies, etc).



Do not spray liquids near electrical outlets, connections or the refrigerator components. Many liquids are electrically conductive and can cause a shock hazard, electrical shorts and in some cases fire.



At regular intervals, make sure that the refrigerator flue, the burner, the vent areas and the ventilation air pathway between the vents are completely free from any flammable material or blockage. After a period of storage, it is especially important to check these areas for any flammable material or blockage caused by animals.



Do not store or use gasoline or other flammable vapors and liquid in the vicinity of this or any other appliance.



When positioning the appliance, ensure the supply cord is not trapped or damaged.



Do not locate multiple portable socket-outlets or portable power supplies at the rear of the appliance.



Do not store explosive substances such as aerosol cans with a flammable propellant in this appliance.



If the supply cord is damaged, it must be replaced by the manufacturer, its service agent or similarly qualified person in order to avoid a hazard.



Make sure that installation, electrical connection, maintenance and periodical inspection of the ULPG system will be done by a qualified technical person, according to Thetford's instructions (www.thetford.com.au) and local safety rules.



Never open or damage the cooling system at the back of your refrigerator. The cooling system is pressurised and contains substances that can be harmful to your health.



Never attempt to repair parts of the ULPG system, the ULPG flue or electrical components by yourself. The repairs may only be done by a qualified technician. Please contact the Customer Service Department for further support and addresses.



Never expose the refrigerator to rain.



The refrigerator is designed to run on ULPG. It does not run on natural gas or coal gas.



Only use gas which is mentioned on the serial label inside the refrigerator.



Make sure the type and position of the ULPG bottle meets the latest technical regulations.



Change the ULPG bottle in open air and out of reach of any possible source of ignition.



Never obstruct the ventilation openings in the ULPG bottle storage location.



Keep flammable material away from the refrigerator.



Do not use ULPG to power your refrigerator in the vicinity of petrol stations.



Respect the expiry date printed on the packaging of food.



Defrosting, cleaning or maintenance of the refrigerator can shorten the preservability of food.



As the constant regulation of temperature can not be guaranteed, the refrigerator might not be suitable for proper storage of medications. Refer to the instructions included with the medications.



The volume is based on the AS 4555-2002 standard. The energy consumption is based on the AS/NZS 62552-3:2018 standard.



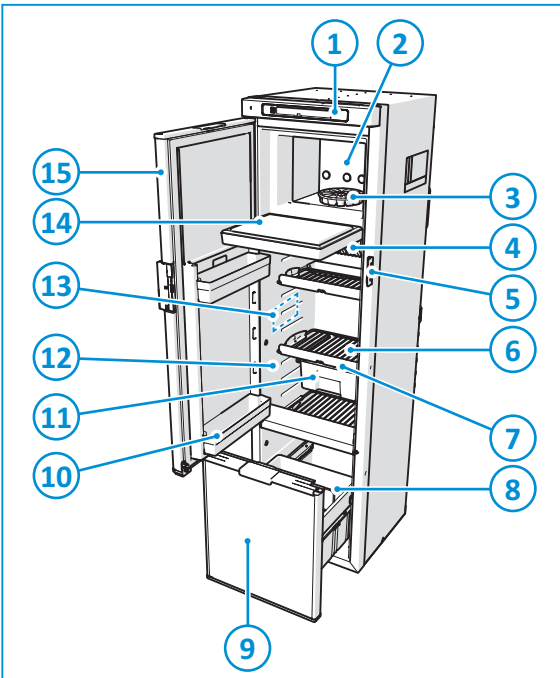
Suitable for camping use.



The appliance may be connected to more than one source of energy.

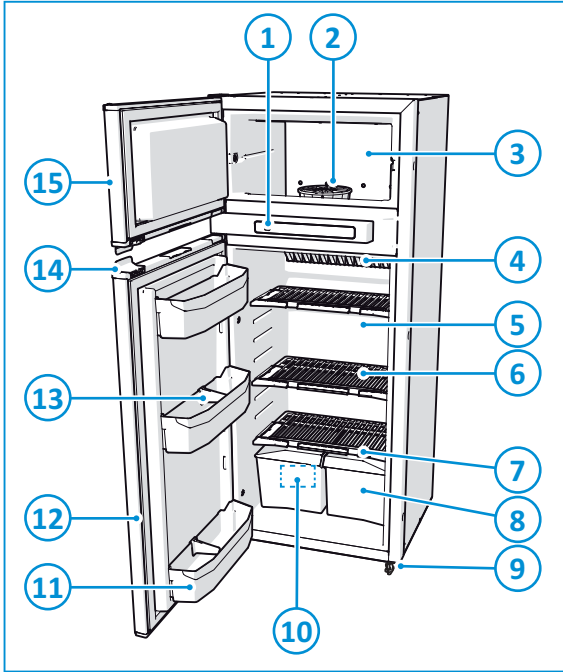
4. Main components

Model N4141



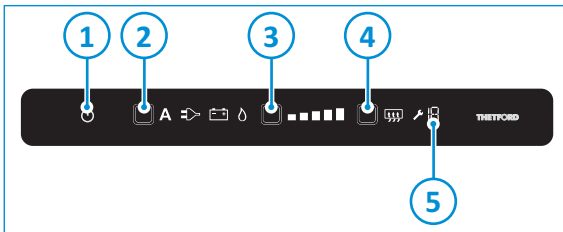
1. Control panel
2. Frozen food compartment
3. Ice cube tray
4. Door lock
5. Storage shelves
6. Shelf food retainer (optional)
7. Drawer divider
8. Drawer for bottles and vegetables
9. Door bins
10. Slide-out box
11. Fresh food compartment
12. Serial ID label
13. Frozen food compartment door
14. Refrigerator door

Model N4175



1. Control panel
2. Ice cube tray
3. Frozen food compartment
4. Cooling fins
5. Fresh food compartment
6. Storage shelves
7. Shelf food retainer
8. Vegetable bins
9. Security lock (not present on all refrigerators)
10. Serial ID label
11. Door bins
12. Fresh food compartment door
13. Bottle retainer
14. Door lock
15. Frozen food compartment door

LCD touchscreen



1. On/off button
2. Energy source button
3. Cooling level button
4. Anti-condensation button (only for N4175)
5. Error code

5. Before use

Before using the appliance:

- Ensure that all packaging materials have been removed.
- Clean the inside of the refrigerator properly with warm water and household detergent and dry carefully with a soft cloth.
- Ensure that the DC electricity supply is connected and turned on.

- Ensure that the gas supply is connected and turned on.

6. Switching on the refrigerator

To switch on the refrigerator:

- Push the on/off button. The light in the on/off switch turns on and the selected settings are shown on the display.



Refer to Main components for the location of the buttons.



After 10 seconds, the settings indication will dim. The light indicates the refrigerator is still in function.



For optimal performance, level your vehicle and switch on the refrigerator 8 hours before placing food.

7. Selecting source

To select the source:

- Push the source button several times until the desired source is selected.



Refer to Main components for the location of the buttons.

There are four available sources:

1. Auto: The refrigerator automatically selects the best source available (in order: mains, battery, ULPG).



If you select the automatic source selection, the control panel will show two source symbols; the A and the best source available.

2. 240V: The refrigerator is powered from the mains.
3. 12V: The refrigerator is powered from the battery of the vehicle.



Operating on 12V is only effective while the engine of the vehicle is running.



The performance of the refrigerator when operating on 12V, is dependent on the thickness and length of the wiring and the overall installation of the vehicle.

4. ULPG: The refrigerator is powered from the gas connection of a ULPG bottle.



Always use the gas connection or mains voltage to start up and cool.



Always make sure that the selected power source is available. When using ULPG, make sure the ULPG bottle valve is opened.



In case the refrigerator is installed in a caravan, the refrigerator needs a D+ signal (engine running) from the towing vehicle to operate in DC mode while travelling.



When using gas while driving, make sure that the refrigerator is equipped with a safety closing device according to the national legislation in force.



If the refrigerator is powered by a gas connection, make sure the control panel is powered from the battery. When selecting ULPG, the flame should be ignited within 30 seconds. If the system fails, restart the refrigerator and select the ULPG source again. For safety reasons it is not possible to ignite the flame within 15 minutes after driving.



From about 1000m above sea level, problems of a physical nature can occur when lighting the ULPG. This does not mean that the refrigerator is not working properly.

8. Selecting cooling level

To select the cooling level:

- Push the cooling level button several times until the desired cooling level is selected.



Refer to Main components for the location of the buttons.



Thetford advises to set the refrigerator on cooling level 3, with an ambient temperature between 15°C and 25°C. A higher temperature needs a higher cooling level, a lower temperature a lower level.



Active running time of the refrigerator depends on the temperature, size and state of the battery, electrical load of other devices in the vehicle, content of the refrigerator and frequency of use.



When the vehicle is exposed to full sun light, it is strongly recommended to apply proper ventilation in the vehicle.

9. Using the fans

N4141 and N4175

These models have two external fans on the back side and one internal fan underneath the frozen food compartment. All three fans are automatically turned on and off. The internal fan and one of the external fans are turned on at ambient temperatures above 30°C. All three fans are turned on at ambient temperatures above 40°C.

10. Anti-condensation

To prevent the control panel from condensation, the anti-condensation function is automatically switched on. Only switch off this function when there is little energy. To switch off the function:

- Push the anti-condensation button. The symbol on the control panel will light up.
- Push the button again to switch on the anti-condensation function again.



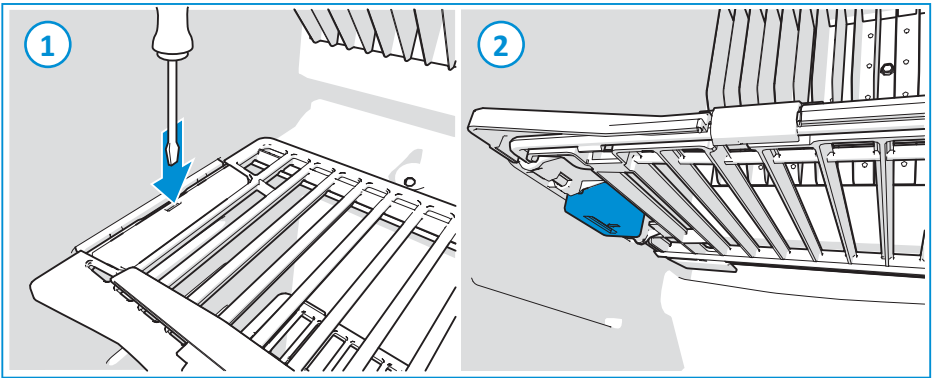
Refer to Main components for the location of the buttons.

11. Use of the fresh food compartment

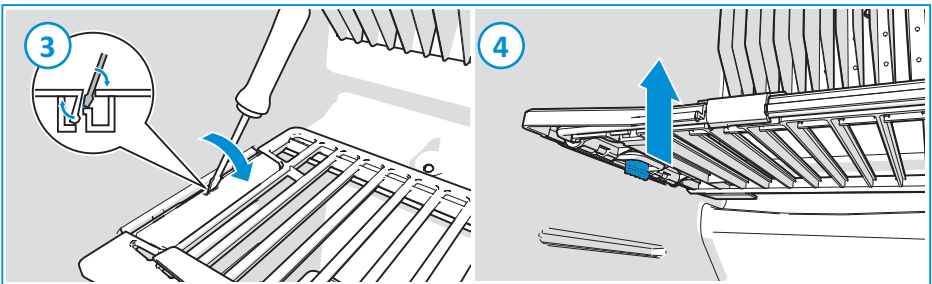
To organise your refrigerator as desired, move the storage shelves and door bins in height.

Moving the storage shelves (model N4175 only)

- Place a tool with a flat end firmly inside the oval opening of the clip [1].
- Hold the block under the clip with your free hand [2].



- Gently move the tool away from the fridge wall (approximately 30 degrees) while keeping its end on the bottom of the oval opening [3].
- After removing the safety block, rotate the clip upwards to release the shelf [4].



- Move the storage shelf to the desired position.
- Rotate the clip downwards until the shelf snaps into place.
- Place the block at bottom of the shelf until you hear a click.

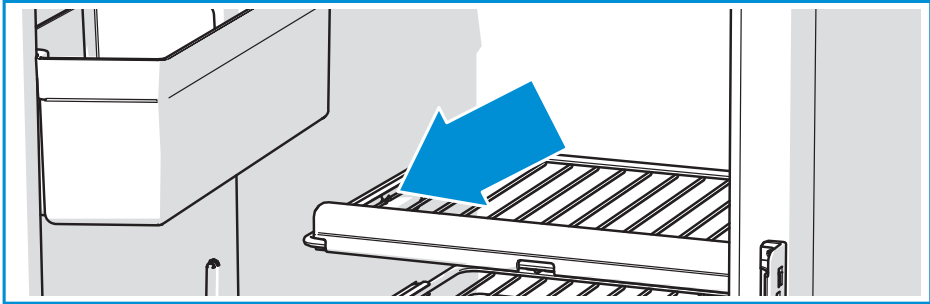
Moving the storage shelves (model N4141)

The shelves of model N4141 are secured to prevent inadvertent entrapment and possible suffocation of children.

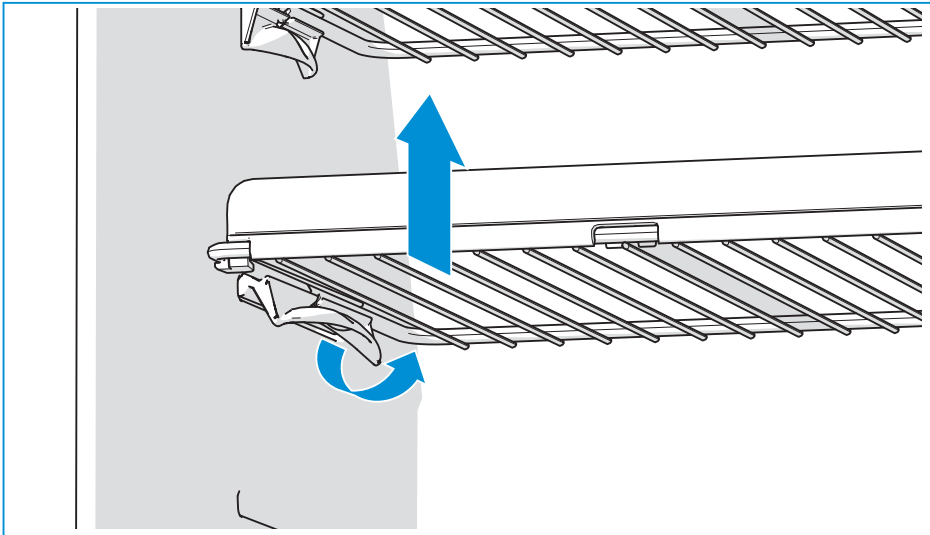


Do not remove the fixed shelves, so children have no space to be entrapped in the refrigerator.

If it is necessary to move a fixed shelf, undo the screws that are placed in the shelf near the shelf clamps.



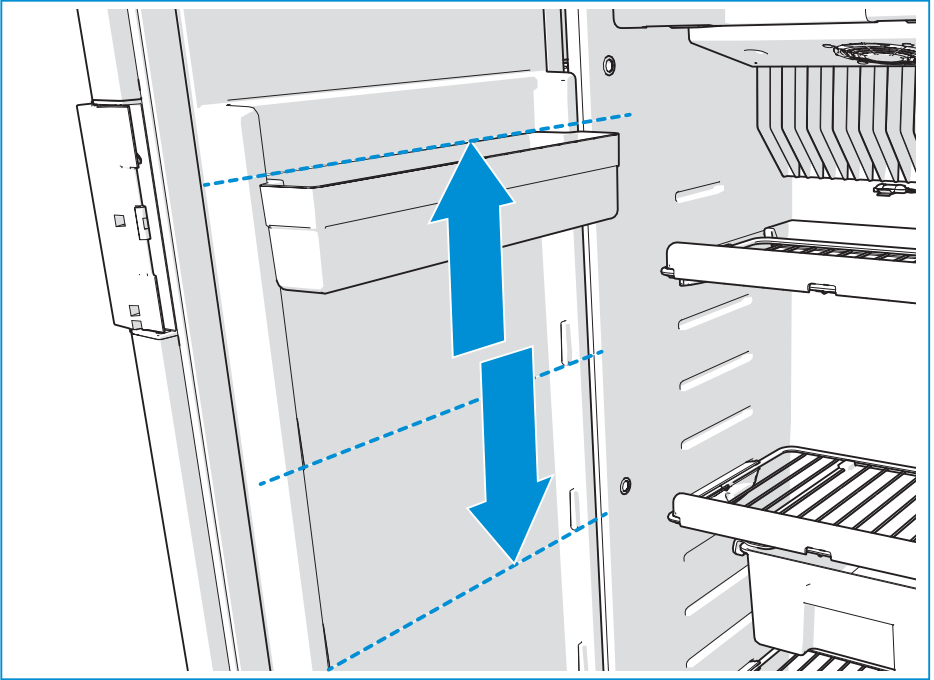
- Turn the plastic clamps of the storage shelf upwards.
- Lift that side a bit.



- Move the storage shelf to the desired position.
- Place the left side of the storage shelf without the clamp in the refrigerator wall.
- Place the other side in the corresponding groove.
- Turn the plastic clamp downwards.
- Replace the screws after you have finished.

Moving the door bins

- Push the door bin out of the lock with both hands.
- Place the door bin back in the desired position.

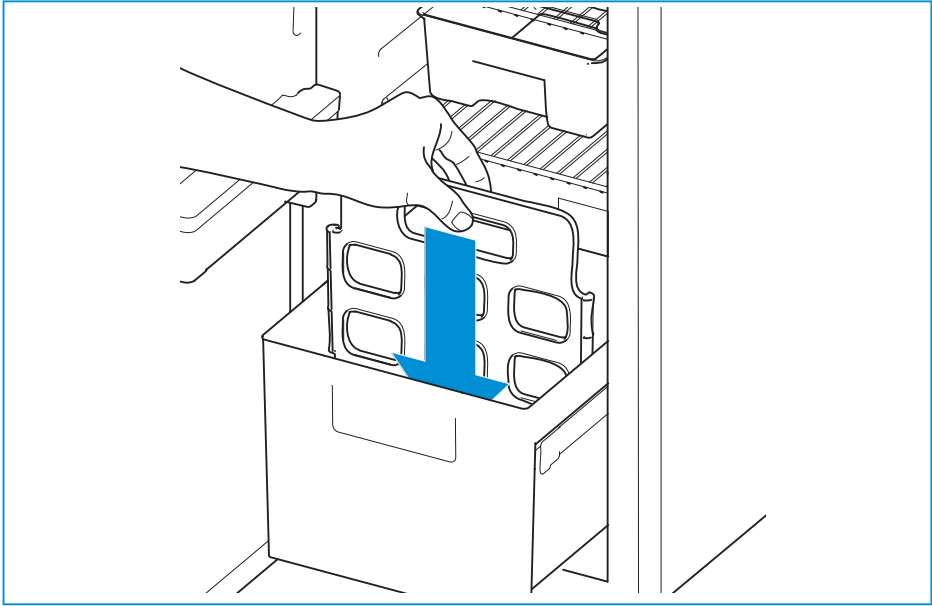


- Push the door bin back on the lock.

Using drawer (N4141)

The drawer is specially designed for bottles, cans and vegetables. To divide the drawer into two compartments:

- Take the bottle retainer from the back and place it back in a desired groove, as illustrated.



The maximum storage capacity of the drawer is 15kg.



Ensure that the door can still be closed after reorganising shelves and bins.



To prevent your refrigerator from ice formation, always cover liquid products, let warm products cool down before placing them and do not open the door any longer than necessary.



To preserve an optimal performance of the refrigerator, do not completely cover the cooling fins with food. Make sure air can still circulate around the fins.



To reduce the cooling time, store only pre-cooled food in the refrigerator. After a minimum of 8 hours of cooling, the food can be placed in the refrigerator.



To prevent the food from drying out or your refrigerator from odours, store food separately in closed boxes.

12. Use of the frozen food compartment

- Use the frozen food compartment to store perishable foodstuffs or frozen foods for short periods.



Never keep carbonated liquids in the frozen food compartment.



The frozen food temperature cannot be guaranteed if the refrigerator performs in a vehicle interior temperature below 10°C. Food might defrost.

- Use the frozen food to make ice cubes.
 - Fill 2/3 of the ice-cube tray with water and put the tray in the frozen food compartment. Make sure you only use drinking water.



Never eat ice-cubes or popsicles directly out of the frozen food compartment. This can cause burns.



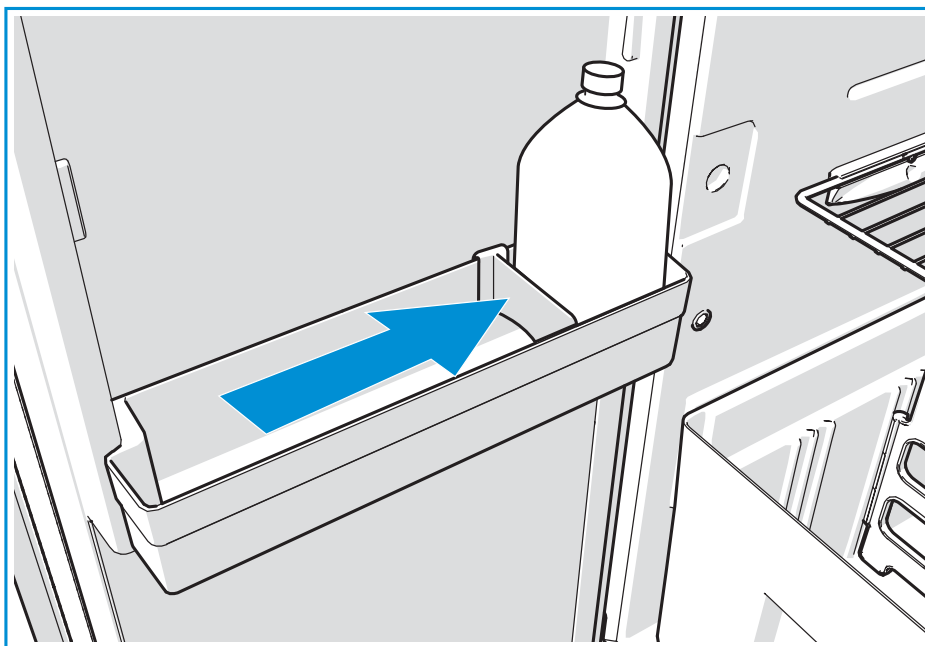
To speed up the process, make ice-cubes at night, when the refrigerator has more capacity. Place the ice-cube tray in an empty frozen food on the bottom and the back.

13. While driving



Do not operate your refrigerator on ULPG while driving. This can reduce performance, cause an unstable flame or extinguish the flame.

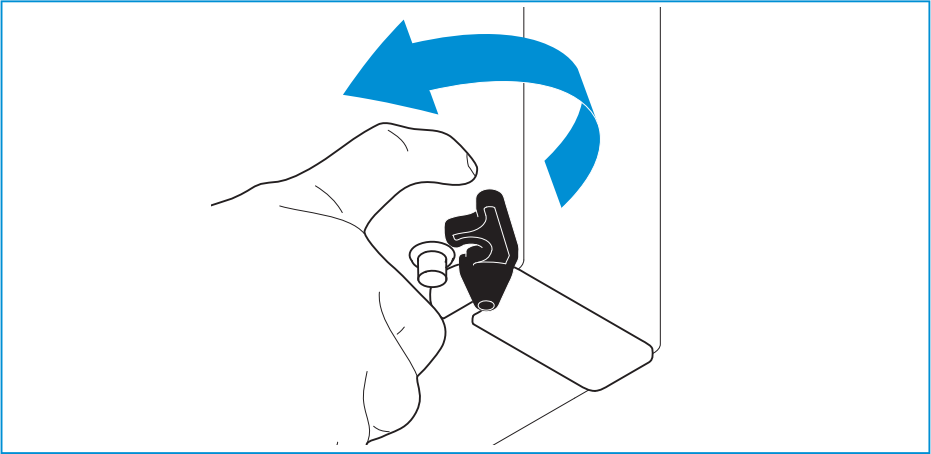
- Make sure no products in your refrigerator can move while driving. Secure the bottles in the door and the drawer with the bottle retainer, and secure all food on the storage shelves.



- Close the door.



When you close and press the door of the refrigerator, the door locks automatically. While driving this door lock also secures the door. Some models have an extra security lock on the bottom of the refrigerator. To be sure the door will not open while driving, push the black security lock over the pin on the door (model N4175 only).



14. Maintenance and cleaning



Before carrying out any kind of maintenance or cleaning on your refrigerator, switch off your refrigerator and disconnect both the AC and DC power sources

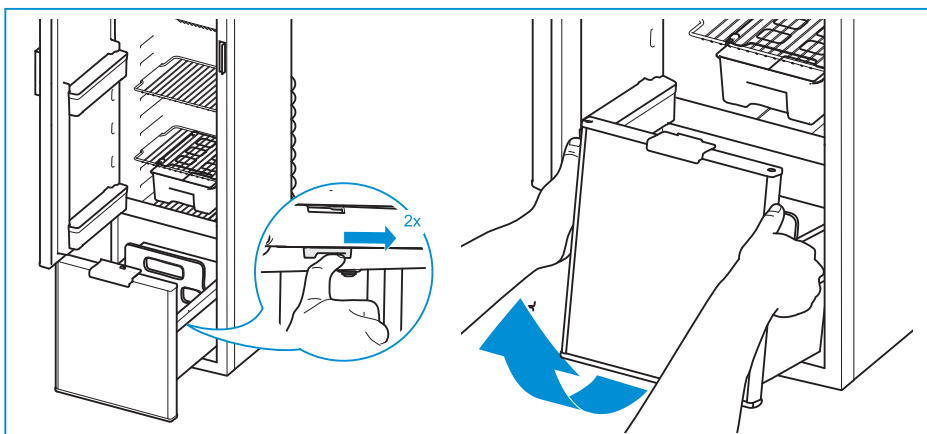
It is important to regularly clean the refrigerator for optimal performance. First remove the shelves, door bins, slide-out box and the drawer. Then clean those parts and the inside of the refrigerator with a soft cloth and a mild household cleaner. Use a wet, soft cloth for the outside of the refrigerator. Make sure the vents on the outside of the vehicle are always dust-tight.

Removing drawer (N4141)

To remove the drawer for refrigerator model N4141:

- Pull the drawer until the stop and push it a little bit back.

- Then push the guide locks backwards, as illustrated.



- Pull the drawer further to the front and lift the wheels over the curves.
- Remove and clean the drawer.
- After cleaning, pull out the guides until they snap into place.
- Place the drawer back in reverse order.



Do not use abrasive cleaners, metal scouring pads or hard brushes. They could damage the refrigerator.



Never clean the refrigerator with soap or aggressive, caustic or soda-based cleaning agents.



Water through the vents may damage your refrigerator.



The loose parts of the refrigerator are not suitable for the dishwasher.

15. Switching off the refrigerator

Switch off the refrigerator before defrosting or storing your vehicle:

- Push the on/off button. All lights will dim.

16. Defrosting

A layer of ice on the cooling fins will decrease the cooling capacity and durability of your refrigerator. Therefore your refrigerator is provided with an automatic defrost system, which prevents ice formation.

Every 49 hours the refrigerator can start a defrost cycle. The defrost cycle is started if the fin temperature is measured below 1°C and ends when the fin temperature rises above 3°C or when 30 minutes have passed.

It is also possible to defrost your refrigerator manually. To do this:

- Remove all food.
- Switch off the refrigerator and open the doors.
- Put a towel in the frozen food compartment and on the bottom of the fresh food compartment to catch any leakage water.



Do not speed up the defrosting process by removing the ice layer with force or sharp objects or by using a hair-dryer or any other electrical device.

17. Troubleshooting

Problem	Possible cause	Solution
Refrigerator does not start	Refrigerator is not switched on	Switch on the refrigerator
	Vehicle is not level	Make sure the vehicle is level
		Try to start the refrigerator on another power source
Model with LCD display: Error codes 1, 2, 4, 5, 8, 9, 12 or 13 light up on the control panel	Multiple causes	Switch the refrigerator off and on again. If the problems still exist, contact a service centre
Error code 3 Refrigerator does not work on ULPG	Gas bottle is empty	Replace the gas bottle
	The valve of the gas bottle and/or the shut-off valves are closed	Open the valves
	Refrigerator is not switched on	Switch on the refrigerator
		Try to run the refrigerator on another power source
Error code 6 or 7 Refrigerator does not work on 12V	The engine is not running	Make sure the engine is running
	12V fuse faulty	Check if the 12V fuse in the fuse box of your motor home or car is still operational
		Try to run the refrigerator on another power source
Error code 10 Refrigerator does not work on 240V	Mains are not available	Check if the mains is available
		Try to run the refrigerator on another power source

Problem	Possible cause	Solution
Error code 11 Refrigerator does not work in Auto	Sources are not connected	Connect the sources
		Try to run the refrigerator on another power source manually
Error code 18: All symbols light up		Wait a few seconds until the refrigerator starts normally
All lights are blinking		Switch the refrigerator off and on again. If the problems still exist, contact a service centre
Refrigerator has insufficient cooling	Ventilation openings completely or partially blocked	Clean or remove blockage
	Vehicle is not level	Make sure the vehicle is level
	Selected cooling level too low	Select a higher cooling level
	Fans not switched on	Switch on the fans
	Door is not properly closed	Close the door
	Too much ice on cooling fins	Defrost the refrigerator
		If the problems still exist, contact a service centre



If you cannot solve a problem, contact the authorised local Service Centre or Thetford Customer Service in your country.

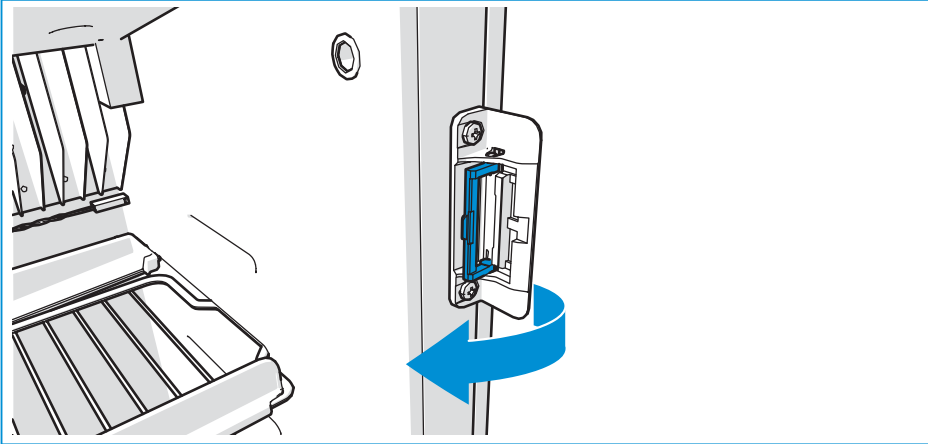
18. Storage

If you do not use the refrigerator for a longer period:

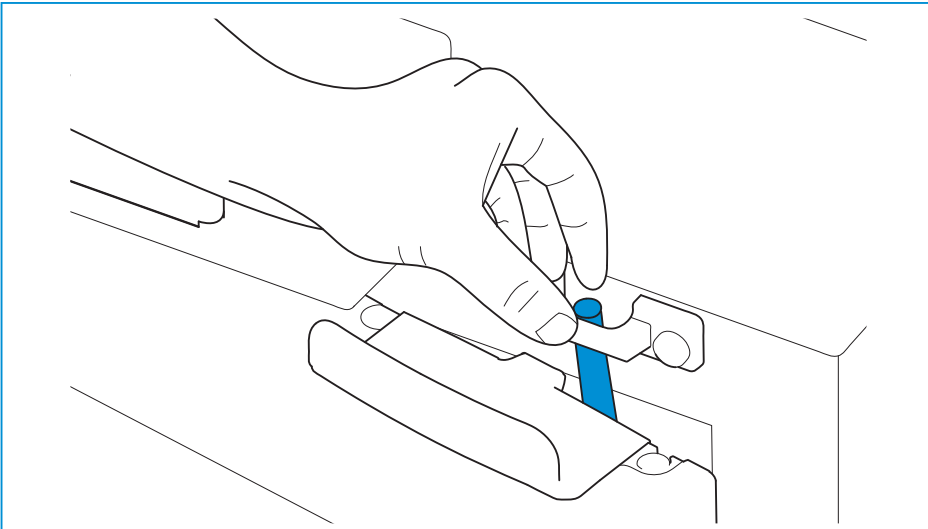
- Empty the refrigerator.
- Defrost the frozen food compartment.
- Clean the complete refrigerator thoroughly.
- Keep the refrigerator door, as well as the frozen food compartment door, open during storage.

To keep the door open during storage:

- Open the door.
- N4141: Rotate the hook at the door lock and lock it in place by using the strike plate.



- N4175: Rotate the hook at door lock and lock it in place by using the strike plate.



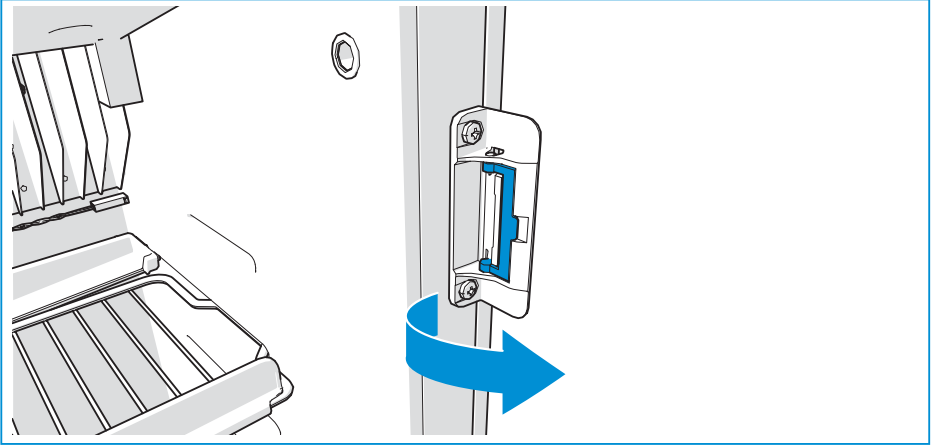
Make sure the gas taps of the gas bottle are closed during storage.



Water through the vents may damage your refrigerator. Make sure the vent openings are covered before washing your vehicle before stalling.

To use the refrigerator after storage:

- N4141: Rotate the hook at the door lock back to its original position.

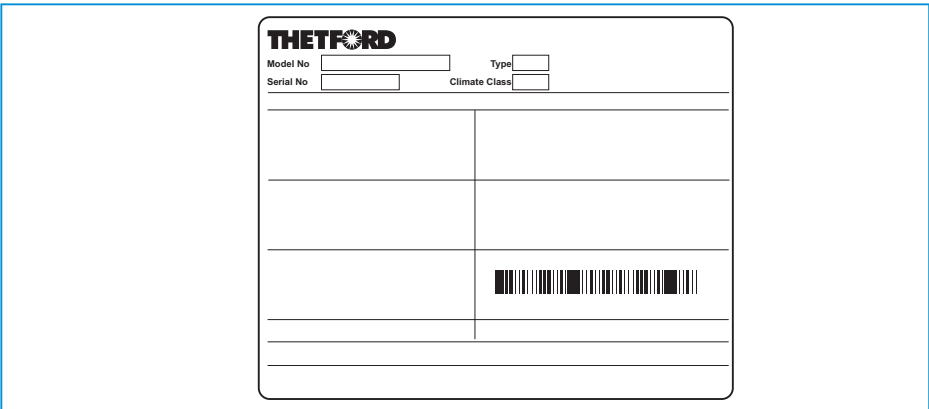


19. Servicing

All servicing must be carried out by an authorized person. Before any service work is started, the appliance must be disconnected from the electrical supplies.

For service, please contact your authorised local Service Centre giving details of the model and serial number on the Serial ID label plus date of purchase.

Please refer to Main components for the location of the Serial ID label.



20. Technical specifications

Table 1: Refrigerator specifications

Model	Display	Total gross volume (L)	Volume (L) frozen food comp.	Energy consumption				Net weight (kg)
				by 16°C (kWh/24h)	by 32°C (kWh/24h)	by 16°C (g/24h)	by 32°C (g/24h)	
N4141-A	LCD	138	15	2.8	5.5	290	540	38
N4175-A	LCD	170	31	2.7	5.4	400	600	45

21. Disposal

Your refrigerator has been designed and manufactured with high quality materials and components, which can be recycled and reused. The cooling system contains ammonia as the coolant and ozone friendly cyclopentane as the blowing agent in the foam.

When your refrigerator has reached its end of life, dispose the product according to the local rules. Do not dispose the refrigerator with normal household waste. The correct disposal of your old product will help prevent potential negative consequences to the environment and human health.

22. Questions

If you have questions about your product, parts, accessories or authorised services:

- Visit www.thetford.com.
- If you cannot solve a problem, contact the authorised local Service Centre or Thetford Customer Service in your country.

23. Warranty

Thetford BV offers the end users of its products a three-year warranty. In the case of malfunction within the warranty period, Thetford will replace or repair the product. In this situation, the costs of replacement, labour costs for the replacement of defective components and/or the costs of the parts themselves will be paid for by Thetford.

Purchased spare parts carry a one-year warranty. Any fitting and/or labour costs are not covered by warranty.

1. To submit a claim under this warranty, the user must take the product to an authorised Thetford Service Partner. The claim will be assessed there.
2. Components replaced during repair under warranty become the property of Thetford.
3. This warranty does not prejudice current consumer protection laws.
4. This warranty is not valid in the case of products that are used for commercial purposes.
5. Warranty claims falling into one of the following categories will not be honoured:

- The product has been improperly used or the instructions in the manual have not been followed;
 - The product has not been installed in accordance with the instructions;
 - Modifications have been made to the product;
 - The product has been repaired but not by an authorised Thetford Service Partner;
 - The serial number or product code has been tampered with or removed;
 - The product has been damaged by misuse.
6. The guarantee is only valid for Thetford refrigerators that are built in in a caravan or motorhome.

Thetford is not liable for any loss and/or damage caused directly or indirectly by use of the refrigerator.

EUROPEAN HEADQUARTERS

Thetford B.V.
Nijverheidsweg 29
P.O. Box 169
4870 AD Etten-Leur
The Netherlands

T +31 76 504 22 00
F +31 76 504 23 00
E info@thetford.eu

FRANCE

Thetford S.A.R.L.
Parc BUROPLUS / Bâtiment 6
18, Boulevard de la Paix
95800 CERGY
France

T +33 1 30 37 58 23
F +33 1 30 37 97 67
E info@thetford.eu

SCANDINAVIA

Thetford B.V.
Representative Office Scandinavia
Hantverkaregatan 32D
521 61 Stenstorp
Sverige

T +46 31 336 35 80
F +46 31 44 85 70
E infos@thetford.eu

UNITED KINGDOM

Thetford Ltd.
Unit 6
Brookfields Way
Manvers, Rotherham
S63 5DL, England
United Kingdom

T +44 844 997 1960
F +44 844 997 1961
E info@thetford.eu

ITALY

Thetford Italy c/o Tecma s.r.l.
Via Flaminia
Loc. Castel delle Formiche
05030 Otricoli (TR)
Italia

T +39 0744 709071
F +39 0744 719833
E info@thetford.eu

AUSTRALIA

Thetford Australia Pty. Ltd.
130-132 Freight Drive
SOMERTON, VIC 3062
AUSTRALIA

T +61 3 9358 0700
E infoaus@thetford.com.au
www.thetford.com.au

GERMANY

Thetford GmbH
Schallbruch 14
D-42781 Haan
Deutschland

T +49 2129 94250
F +49 2129 942525
E info@thetford.eu

SPAIN AND PORTUGAL

Mercè Grau Solà
Agente para España y Portugal
c/ Castellet, 36 bxs 2ª
08800 Vilanova i la Geltrú
Barcelona
España

T +34 938 154 389
F not available
E info@thetford.eu

CHINA

Thetford China
Rm. 1207, Coastal Building
(East Block)
Haide 3rd Road, Nanshan District
Shenzhen, 518054
China

T +86 755 8627 1393
F +86 755 8627 1673
E info@thetford.cn
www.thetford.cn