



Enerdrive

DRIVING YOUR ENERGY NEEDS



Dual Battery Kit Fitting Instructions

Enerdrive Dual Battery Kit Fitting Instructions

Fitment of the Enerdrive Dual Battery Kit is a relatively simple task and requires no special knowledge of vehicle electrics and uses tools available in most home workshops.

Tools required are:

- a) Cutting pliers, side cutters or cable stripper to cut and strip the cable
- b) Crimping or electricians pliers for terminal crimping
- c) Spanner set or socket set
- d) Philips screwdriver
- e) Hairdryer or flame for heat shrink
- f) Power drill and 3.5mm (9/64) drill bit
- g) Voltmeter

These instructions assume you have purchased and mounted your auxiliary battery (preferably a deep cycle) in your vehicle.

1. Lay out your Dual Battery Kit and check that all the components are in the kit.

You should have:

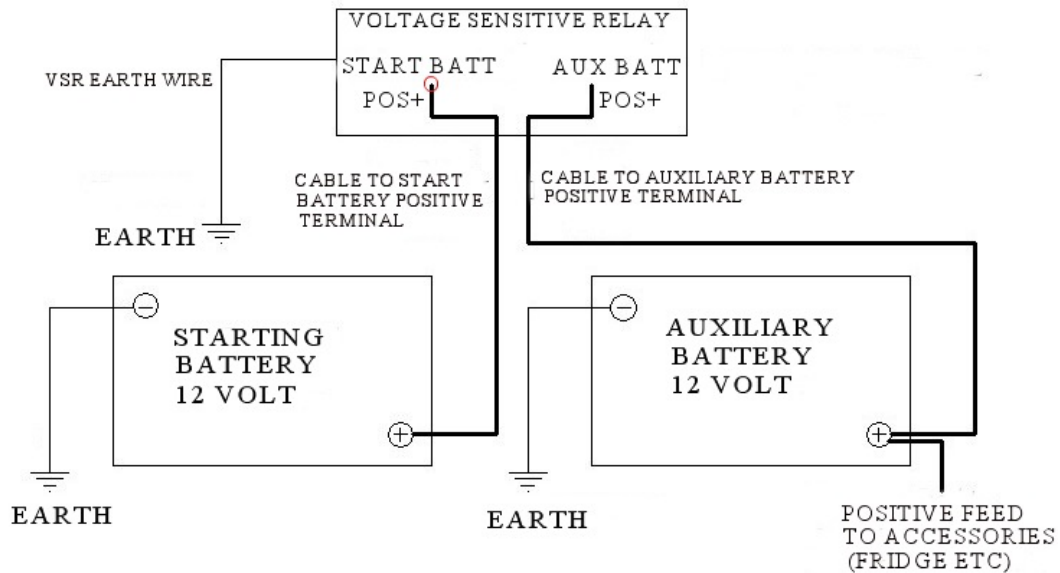
- 1 x Voltage sensitive relay with mounting screws
- 1 x 6 metre length of 16mm sq red cable terminated at both ends
- 1 x 61cm (24") black earth cable
- 2 x Positive Marine battery terminals
- 1 x Negative Marine battery terminal
- 2 x 16-8 Copper crimp lugs
- 2 x Red heat shrink
- 1 x Insulated blue ring terminal
- 6 x 200mm cable ties

2. Isolate the starting battery by removing the negative terminal.

3. Select a location for the Voltage Sensitive Relay that is easily accessible and will not have the cables running near exhausts and is as close as possible to the starting battery.

4. Remove the lower mounting plate from the VSR to use as a template and mark the position of the four (4) holes to be drilled. Drill the holes using a 3.5mm (9/64) drill bit.

5. Secure the two (2) blind holes of the base with the short 4mm screws.



6. Take the 6 metre length of red cable, which has been terminated at both ends. Begin from the centre of the mounting plate and run the cable along the inner guard and firewall to the positive terminal of the starting battery (be careful to keep the wiring away from any moving parts). Cut the cable to length.

7. Repeat the above process to the positive terminal of the auxiliary battery.

8. Strip the un-terminated ends of both cables back 15mm, fit the copper lugs and crimp in place, making sure the connection is secure. Alternatively you can solder the cable to the lug if you wish.

9. Slide the heat shrink over the lug and cable then heat with a flame or hairdryer until secure.

10. Attach the insulated ring terminal to the black wire on the VSR. This is an earth wire and it is important that it has a secure and clean (Bare Metal) contact. If possible select a nearby bolt or screw that is earthed to the body.

11. Attach both red cables to the VSR and tighten the retaining nuts. The cable from the start battery goes to the stud on the VSR with the painted RED dot. The cable from the auxiliary battery goes to the unpainted stud.

Note – You will have to cut the notched sections in the VSR housing where you require the cable to exit.

12. Mount the VSR to the bottom plate and fix with the two (2) longer 4mm screws.

13. Secure the black earth lead on the VSR to the selected earth point.

14. Fit the Positive (Red +) battery terminal and the Negative (Black -) battery terminal to the auxiliary battery and tighten.

15. Auxiliary battery BLACK earth cable - Select a nearby body bolt or drill an 8mm hole in the inner guard and secure one end of the 61cm (24") black earth cable, make sure to have a secure and clean (bare metal) connection.

16. Attach the RED lead from the VSR to the positive (+) terminal of the auxiliary battery and then secure the cable using the cable ties.

17. Attach the other end of the BLACK earth lead to the negative (-) terminal of the auxiliary battery.

18. Before fitting the battery terminal to the positive side of the start battery, check the type of the existing battery terminal and if it has a stud and nut on the terminal to secure the existing wiring connect to the existing terminal.

19. Attach the RED cable from the VSR to the positive (+) terminal of the start battery and secure the cable using the cable ties.

20. Re connect the start battery earth cable.

Relax the hard work has been done and it's now time to do some tests.

21. Test for a proper earth on the auxiliary battery by placing a voltmeter across the positive (+) and negative (-) terminals and take a reading. Remove the negative (-) probe and place on an earth point on the body or engine (not the point the earth cable is mounted), both readings should be the same. If the readings are not the same check the earth cable has a clean and secure mounting.

22. Start the vehicle's engine.

23. When the starting battery's voltage reaches 13.3V the relay will close automatically and allow the auxiliary battery to be charged. This is indicated by the red light on the front panel of the VSR being illuminated.

24. Ensure that the auxiliary battery is charging by checking that the voltage is above 13.0V.

25. Turn off the engine.

26. Check that the VSR disengages when the start battery's voltage falls below 12.8V. This can take some time so to speed up the process turn on the headlights or leave the door open and interior lights on.

If the VSR works as per the above tests Congratulations you have successfully installed your Enerdrive Dual Battery Kit.



Enerdrive

DRIVING YOUR ENERGY NEEDS

Unit 11, 1029 Manly Road, Tingalpa, 4173 | Ph: 1300 851 535 Fax: 07 3390 6911
Email: sales@enerdrive.com.au | Web: www.enerdrive.com.au
